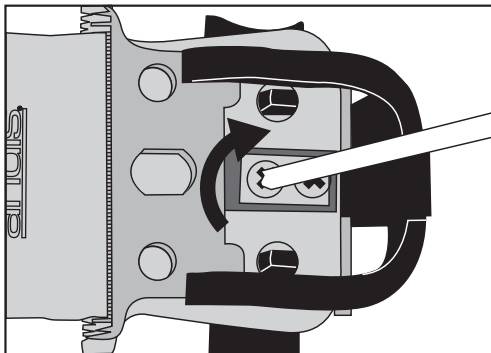
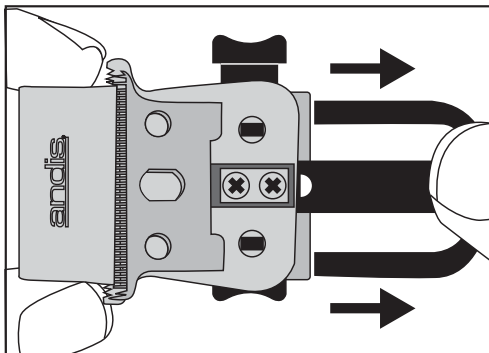


6



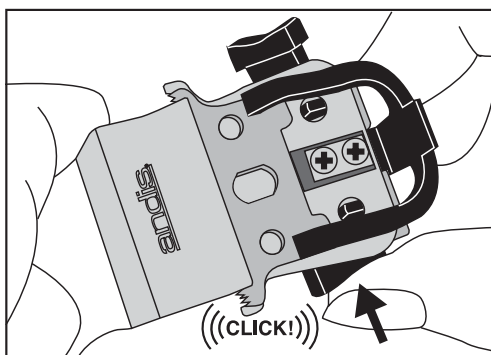
Turn screws to the right to tighten.

8



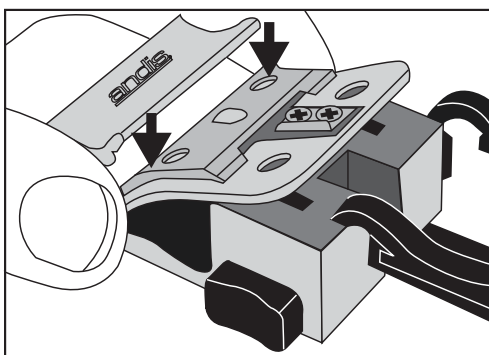
Pull the upper blade adjustment bracket back to release the blade set. Your blade set is now zero-gapped.

7



Release the blade lock by pressing the button on the left side of the locking arm. The button should click into place.

9



Remove blade assembly by pushing down on the front of the blade.

# andis®

## USE AND CARE

### Andis Blade Zero Gapper

For Outliner® & Styliner® Blades  
#04521, #04604, #26704, #32859

Requires only a screwdriver to adjust blade.  
Phillips for Outliner® and T-Outliner®;  
flathead and phillips for Styliner®

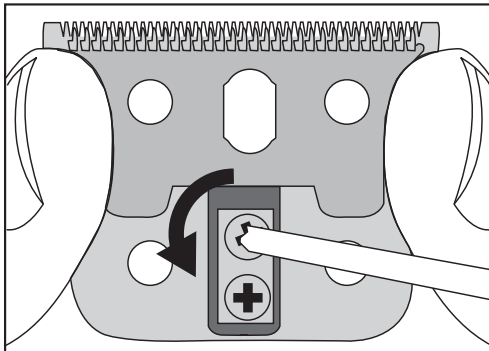


Congratulations—you just went first class when you bought this Andis appliance. Careful workmanship and quality design have been hallmarks of Andis products since 1922.

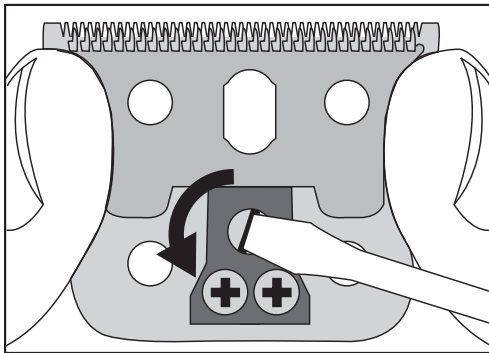
### Andis Company

1800 Renaissance Blvd. Sturtevant, WI 53177  
1-800-558-9441 Canada: 1-800-335-4093  
info@andisco.com [www.andis.com](http://www.andis.com)

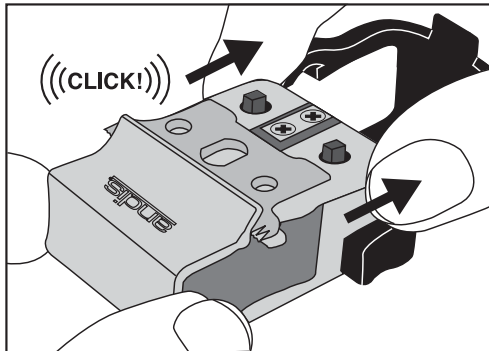
**KEEP THIS FOR YOUR RECORDS**

**1a****FOR USE ON OUTLINER® BLADES:**

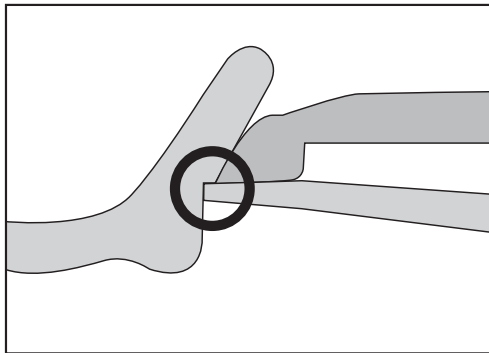
Using a small screwdriver, turn screws 1/4 turn to left to loosen.

**1b****FOR USE ON STYLINER® BLADES:**

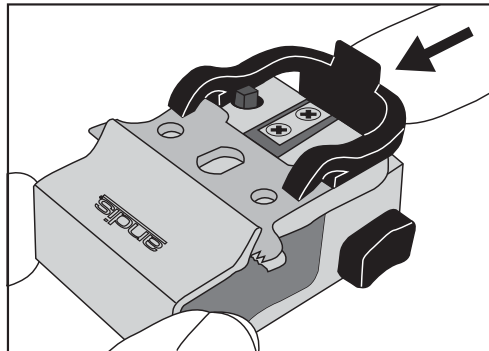
Using a small screwdriver, turn screws 1/4 turn to left to loosen. **Caution: Do not loosen the tension screw completely, as this will result in a negative gap.**

**2**

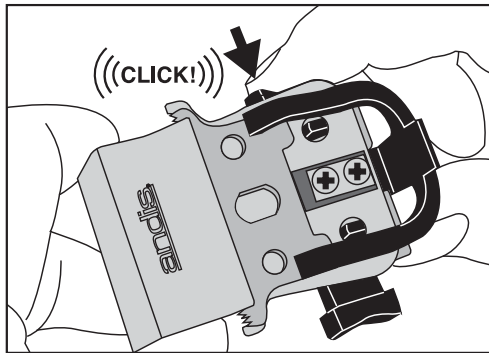
Place front end of blade under lip of blade gapper. Place holes on the blade assembly onto the pins of the blade gapper and pull back on the base of the blade. The front of the blade should lift up and click into place.

**3**

Make sure that the blade is properly seated against the lip of the blade gapper.

**4**

Push the upper blade adjustment bracket forward as far as it will go until the upper blade is firmly against the angled metal surface.

**5**

Push the button on the right of the locking arm to lock into place. The button should click into place.