



USE & CARE INSTRUCTIONS

CNG-1



Item pictured may differ from actual product

El artículo ilustrado puede diferir del producto real

Il est possible que l'article sur la photo soit différent du produit réel

Please read the following instructions before using your new Andis nail grinder. Give it the care that a fine, precision built instrument deserves and it will give you years of service.

IMPORTANT SAFEGUARDS

When using an electrical appliance, basic precautions should always be followed, including the following: **Read all instructions before using the Andis nail grinder.**

DANGER: To reduce the risk of electric shock:

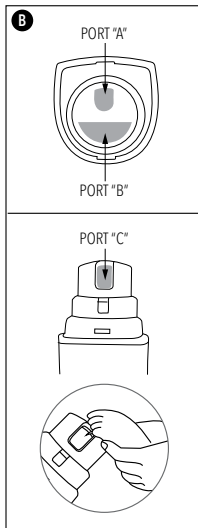
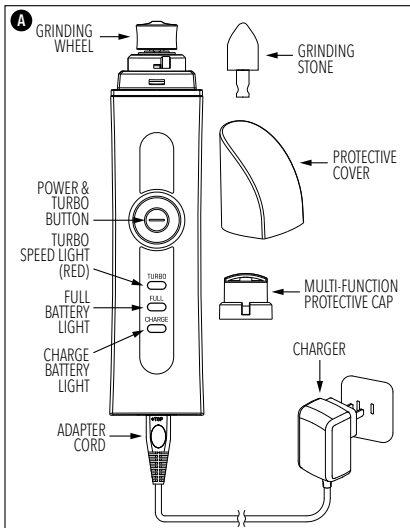
1. Do not reach for nail grinder if it has fallen into water. Unplug immediately.
2. Do not use while bathing or in a shower.
3. Do not place or store nail grinder where it can fall or be pulled into a tub or sink. Do not place in or drop into water or other liquid.
4. Always unplug nail grinder from the electrical outlet immediately after using.
5. Unplug nail grinder before cleaning, removing, or assembling parts.

WARNING: To reduce the risk of burns, fire, electric shock, or injury to persons:

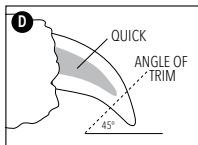
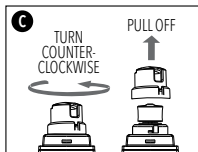
1. Close supervision is necessary when nail grinder is used by, on or near children or individuals with certain disabilities.
2. Use this appliance only for its intended use as described in this manual. Do not use attachments not recommended by Andis.
3. Never operate nail grinder if it has a damaged cord or plug, if it is not working properly, if it has been dropped or damaged,

- or dropped into water. Return to an Andis authorized service station for examination or repair.
4. Keep the cord away from heated or sharp surfaces.
 5. Never drop or insert any object into any opening.
 6. Do not use outdoors or operate where aerosol (spray) or other flammable products are being used or where oxygen is being administered.
 7. Do not touch the collet or attachments after use. These may be hot and cause burns to the skin.
 8. To disconnect, turn unit OFF, then remove plug from outlet.
 9. Always wear safety glasses when using nail grinder. Do not wear loose jewelry or clothing when in use. Keep long hair pulled back out of work area.
 10. Do not allow animal to lick or touch the nail grinder during use.
 11. To prevent damage to the nail, do not hold the grinding wheel or stone in one place on nail or apply excessive pressure to the nail while grinding.
 12. Make sure attachments are securely in place before use.
 13. Do not leave nail grinder unattended when plugged in.
 14. **WARNING:** During use, do not place or leave appliance where it may be (1) damaged by an animal or (2) exposed to the weather.
 15. The battery must be removed from the appliance before it is scrapped.
 16. The appliance must be disconnected from the supply mains when removing the battery.
 17. The battery is to be disposed of safely.
 18. Use only the charger supplied by the manufacturer to recharge.

SAVE THESE INSTRUCTIONS



NAIL GRINDER INDICATOR LIGHT STATUS	
Nail Grinder in Use	Indicator Light Status
Full Charge	FULL BATTERY light blinks
Low Charge	CHARGE BATTERY light blinks
Turbo Speed	TURBO light on (RED)
Nail Grinder Charging	Indicator Light Status
When Charging	CHARGE BATTERY light on FULL BATTERY light blinks
Fully Charged	CHARGE BATTERY light off FULL BATTERY light on



THIS APPLIANCE IS INTENDED FOR PROFESSIONAL AND HOUSEHOLD USE

OPERATING INSTRUCTIONS

Nail grinder must be pre-charged fully before using it for the first time. To start nail grinder, push the POWER button; to stop, push the POWER button again. To turn on TURBO speed (7,400 RPM), double click the POWER button; to return to NORMAL speed (6,500 RPM), double click the POWER button (Figure A).

POWER SUPPLY

This unit is equipped with a universal AC/DC power adapter/battery charger (Figure A).

CHARGING NAIL GRINDER

The battery charger is intended for use with Andis CNG-1 nail grinder. Remove the nail grinder and charger from the carton. Plug the charger into a 120V AC outlet, or according to your local power standards (Figure A). Confirm the voltage available with each overseas location before using the appliance. For connection to a 240V supply, use an attachment plug adapter of the proper configuration for the power supply receptacle.

The nail grinder must be OFF before plugging the charger into the outlet. Plug the adapter cord plug directly into the bottom of the nail grinder (Figure A). The nail grinder has a lithium-ion battery that cannot be damaged by overcharging. We recommend that the nail grinder be unplugged if not used for seven or more days.

NAIL GRINDER INDICATOR LIGHTS

See the chart on page 4 for charging status and corresponding indicator lights.

FAILURE TO CHARGE

1. Make sure voltage is present at the wall outlet (confirm with an appliance you know is working).
2. Check to make sure adapter cord plug is plugged firmly into bottom of nail grinder. If failure to charge still exists, return nail grinder to Andis or an Andis authorized service station for examination and repair or replacement.

CORDLESS OPERATION

When the battery is fully charged, the green FULL BATTERY light will blink. When the battery charge is low, the green FULL BATTERY light will turn off and the red CHARGE BATTERY light will blink (Figure A).

Once the battery has fully run down (after approximately 180 minutes of use), the red CHARGE BATTERY light will turn off, indicating that the battery should be recharged or the nail grinder should be used with the adapter cord (Figure A).

USE WITH ADAPTER CORD

If the nail grinder powers off in the middle of a job, the adapter cord can be attached to continue use in corded operation. When the unit is running with the adapter cord attached, the green FULL BATTERY light will remain on and the red CHARGE BATTERY light will blink (Figure A).

USING THE GRINDER ATTACHMENTS

Your Andis nail grinder comes with a conical grinding stone, a grinding wheel and a multi-function protective cap (Figure A). It is recommended to use only Andis attachments made specifically for the CNG-1 nail grinder.

The multi-function protective cap has three ports, suitable for use on small or large size pets (Figure B). **The multi-function protective cap should only be used with the grinding wheel.**

- Use Port "A" for small sized pets.
- Use Port "B" for large sized pets.
- Use Port "C" for quick nail grinding. Use your thumb and index finger to hold your pet's paw, and touch the grinder slightly to start grinding the nail. **Do not keep the grinding stone against the nail for longer than three seconds at a time (Figure B).**

To remove multi-function protective cover: Twist counterclockwise to unlock and pull straight up (Figure C).

To remove grinding wheel: Grip the grinding wheel and pull straight up.

To insert a new grinding wheel: Insert new grinding wheel into slot and push down firmly.

IMPORTANT: Before each use, check that the grinding stone or wheel is secure. If loose during operation, attachment may be ejected from nail grinder and cause injury.

BEFORE GRINDING

Before grinding the dog's nails:

1. Get the dog used to having his paws touched and handled before showing him the nail grinder. Take a few minutes to manipulate his paws while giving him positive reinforcement.
2. Let him sniff the nail grinder while it is turned off.
3. Turn the grinder on so he can get used to the sound it makes. Have him sit while the tool is in your hand and running.
4. Once the dog is used to the tool, try touching it to his nails. Do not do any actual grinding yet.
5. You may need to repeat the above steps a few times.

NAIL ANATOMY

Before grinding your dog's nails, you need to be able to identify the "quick" of the nail. The quick is the inner soft part of the nail containing blood vessels and nerve endings; it is surrounded by a hard outer cover (Figure D). Should you hit or cut the quick, the dog will feel pain and may bleed.

In dogs with light colored nails, the quick is usually a pinkish color, which makes it easier to avoid. In dogs with dark colored nails, the quick is usually a dark spot in the middle of the grinding area. In both cases, grind a little at a time, and keep checking for the quick.

DOG SAFETY AND AUTOMATIC SHUT-OFF

The dog should be secured during grinding process. It might be helpful to have another person help to restrain the dog if necessary.

Keep hair away from spinning parts. If hair gets entangled in the tool, or excess pressure is applied to grinding wheel, unit will stop automatically. If unit stops automatically, it will reset itself and restart after a few seconds, once pressure or hair is cleared.

GRINDING NAILS

Your Andis nail grinder comes with NORMAL and TURBO speed operation. Use the NORMAL setting for most nail grinding needs. Use the TURBO setting for large dogs.

1. Turn on nail grinder; it will start at NORMAL speed. To use the TURBO speed, double click the POWER button. Turbo light will be RED.
2. Separate the dog's toes by placing your thumb between the pads and hold foot securely. Push long hair away from the foot to avoid tangling or pulling. You can try placing a nylon stocking over the foot and pushing nails through the nylon to allow easy access to nails while keeping hair out of the way.
3. Support the toe and nail in one hand while using the nail grinder in the other hand. This keeps vibrations to a minimum and is more comfortable for the dog.
4. To get a smooth edge, grind from the bottom of the nail up towards the tip.
5. Use a continuous side-to-side motion when grinding each nail; holding the tip in one place too long can cause unevenness and over-grinding. **Do not keep the grinding wheel or stone against the nail for longer than three seconds at a time.**
6. **IMPORTANT: Do not apply excessive force when grinding.** Let the speed of the grinder do the work. Do not apply pressure to the nail with the spinning grinding wheel. Pressure causes the nail to get hot and will cause pain to the dog.
7. Keep the nail grinder away from the nail when first starting, or the grinder may "grab" the nail and cause loss of control or injury to the dog.

USER MAINTENANCE

The internal mechanism of your nail grinder has been permanently lubricated at the factory. Other than the recommended maintenance described in this manual, no other maintenance should be performed, except by Andis Company or an Andis authorized service station. **To contact Andis directly, please call our Customer Support Team at 1-800-558-9441 or email us at support@andisco.com.**

CLEANING & MAINTENANCE

- Turn the nail grinder OFF and remove the multi-function protective cap by twisting counterclockwise to unlock and pulling straight up.
- Brush or blow off dust or other material from nail grinder after each use.
- Use a soft cloth to wipe off nail grinder.
- Replace grinding attachments when worn.
- Check cords and nail grinder for damage periodically.

CAUTION: Never handle your Andis nail grinder while you are operating a water faucet, and never hold your nail grinder under a water faucet or in water. There is danger of electrical shock and damage to the appliance. **Andis Company will not be responsible in case of injury due to this carelessness.**

MANUFACTURER'S 12 MONTH LIMITED WARRANTY

This Andis product is warranted against defective material or workmanship for 12 months from the date of purchase. All express and implied warranties arising out of and applicable to the product by virtue of State law shall also be limited to 12 months from the date of purchase. Any Andis product determined by Andis to be defective in material or workmanship during the warranty period will be repaired or replaced, at Andis' sole discretion, without cost to the consumer for parts and labor. To qualify for this limited warranty, the defective product must be returned via parcel post insured or U.P.S., with proof of purchase to Andis, 1800 Renaissance Blvd., Sturtevant, WI 53177 USA. Please include a letter describing the nature of the problem.

Due to foreign matter sometimes found in hair and for other reasons, clipper blades or the resharpening of blades are not subject to this limited warranty. Andis will not be responsible for the replacement, cost of repairs, or alterations made to its products by any other person, agency or company. Except as stated above, Andis does not provide and expressly disclaims any implied warranty of merchantability or fitness for a particular purpose, or any other warranty of any kind whatsoever. Under no circumstances will Andis be responsible for incidental or consequential damages of any type, or for any liability arising out of the use of unauthorized attachments. Some states may not allow exclusion or limitation of incidental or consequential damages, so this limitation or exclusion may not apply to you.

Date Purchased _____ Model _____

**To find an Andis Authorized Service Station near you log on to andis.com
or contact our customer service department: 1-800-558-9441**

WARNING: NO WARRANTY IF PURCHASED FROM UNAUTHORIZED SELLERS OF ANDIS PRODUCTS

To ensure you are receiving an authentic, safe, quality product, you must purchase Andis products only through authorized sellers. Log on to andis.com or contact our customer service department at 1-800-558-9441 (U.S.) to review a list of our authorized sellers. These sellers are approved or certified by our company. If you do not purchase through one of these companies, we cannot assure the authenticity or condition of any Andis products, nor can we offer our warranty and related services for any products purchased from an unauthorized seller. Any such warranty is void and any warranty claim made for a product purchased from an unauthorized seller will be denied. Any sale or use by these unauthorized sellers of our products, and the marketing images, logos, trademarks and copyrighted material on our products, is also unauthorized.

Lea las instrucciones siguientes antes de usar su nueva limadora de uñas de Andis. Trátela como se merece un instrumento delicado y de precisión, y le dará servicio durante muchos años.

PRECAUCIONES IMPORTANTES

Al usar un aparato eléctrico, siempre deben seguirse ciertas precauciones básicas, que incluyen la siguiente: **Lea todas las instrucciones antes de usar la limadora de uñas de Andis.**

PELIGRO: Para reducir el riesgo de descarga eléctrica:

1. Si la limadora de uñas se ha caído al agua, no trate de sacarla. Desenchúfela inmediatamente.
2. No utilice el aparato dentro de la bañera ni en la ducha.
3. No deje ni guarde la limadora de uñas en ningún lugar desde el que pueda caer o deslizarse dentro de la bañera o del lavabo. No la sumerja ni la deje caer en agua ni en ningún otro líquido.
4. Siempre desenchufe la limadora de uñas del tomacorriente eléctrico inmediatamente después de usarla.
5. Desenchufe la limadora de uñas antes de limpiar, desmontar o montar sus piezas.

ADVERTENCIA: Para reducir el riesgo de quemaduras, incendio, descarga eléctrica o lesiones a las personas:

1. Es necesaria una supervisión atenta cuando la limadora de uñas sea usada por, en o cerca de niños o personas con ciertas discapacidades.
2. Utilice este aparato exclusivamente para su uso previsto, tal como se describe en este manual. No utilice accesorios no recomendados por Andis.

3. No utilice la limadora de uñas si su cable eléctrico o enchufe está dañado, si no funciona correctamente, si se ha caído o ha sufrido daños, o si ha entrado en contacto con el agua. Devuelva el artefacto a un centro de servicio autorizado de Andis para su revisión o reparación.
4. Mantenga el cable alejado de superficies calientes o filosas.
5. Nunca deje caer el aparato ni inserte ningún objeto en ninguna de sus aberturas.
6. No utilice el aparato al aire libre, ni lo opere donde se estén usando productos en aerosol (nebulizados) u otros productos inflamables, ni donde se esté administrando oxígeno.
7. No toque el collarín ni los accesorios después del uso; estos podrían estar calientes y causar quemaduras en la piel.
8. Para desconectar el aparato, coloque el interruptor en la posición de apagado y a continuación quite el enchufe del tomacorriente.
9. Siempre utilice gafas de seguridad al usar la limadora de uñas. No use alhajas ni ropa suelta al utilizar el aparato. Mantenga el cabello largo lejos del área de trabajo.
10. No permita que el animal lama ni toque la limadora de uñas durante el uso.
11. Para evitar causarle daños a la uña, no sujete la banda de lijado en un lugar sobre la uña ni aplique una presión excesiva a la uña al limar.
12. Asegúrese de que los accesorios estén firmemente colocados antes de usar.
13. No deje la limadora de uñas sola mientras está enchufada.
14. **ADVERTENCIA:** Durante el uso, no coloque ni deje el aparato donde (1) pueda ser dañado por un animal o (2) pueda quedar expuesto a la intemperie.
15. La batería debe quitarse del aparato antes de desecharlo.

16. El aparato debe desenchufarse del tomacorriente antes de quitar la batería.
17. La batería se debe desechar de manera segura.
18. Utilice solamente el cargador suministrado por el fabricante para recargar la batería.

GUARDE ESTAS INSTRUCCIONES

ESTE APARATO ESTÁ DISEÑADO PARA USO PROFESIONAL Y EN EL HOGAR

INSTRUCCIONES DE USO

La limadora de uñas debe cargarse completamente antes de usarse por primera vez. Para encender la limadora de uñas, pulse el botón de ENCENDIDO/APAGADO; para detenerla, vuelva a pulsar el botón de ENCENDIDO/APAGADO. Para usar la velocidad TURBO (7,400 RPM), pulse el botón de ENCENDIDO/APAGADO dos veces; para volver a la velocidad NORMAL (6,500 RPM), pulse el botón de ENCENDIDO/APAGADO dos veces (Figura A).

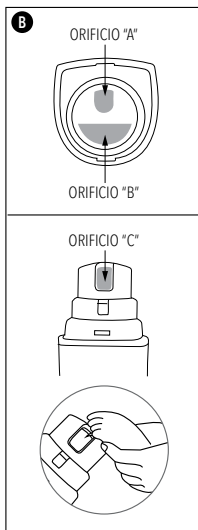
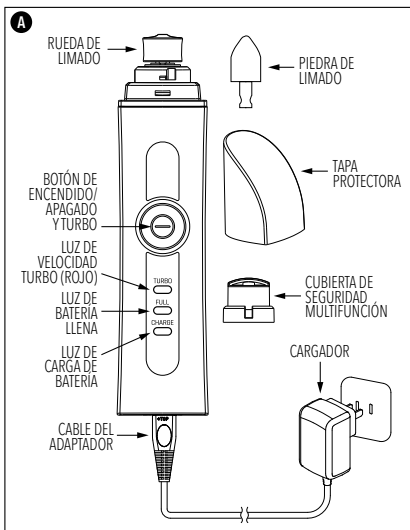
FUENTE DE ALIMENTACIÓN

Esta unidad está equipada con un cargador de batería/adaptador eléctrico universal de CA/CC (Figura A).

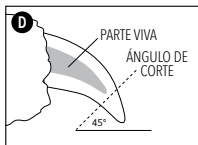
CARGA DE LA LIMADORA DE UÑAS

El cargador de batería está diseñado para usarse con la limadora de uñas CNG-1 de Andis. Saque la limadora de uñas y el cargador de la caja. Enchufe el cargador en un tomacorriente de 120V CA, o el que corresponda según las normas eléctricas de su localidad (Figura A). Confirme el voltaje disponible en cada ubicación en otros países antes de usar el aparato. Para conexión a una fuente de 240 voltios, use un adaptador de enchufe de la configuración correcta para el tomacorriente eléctrico.

La limadora de uñas debe APAGARSE antes de enchufar el cargador en el tomacorriente. Conecte el enchufe del cable del adaptador directamente a la parte inferior de la limadora de uñas (Figura A). La limadora de uñas tiene una batería de iones de litio que no puede ser dañada por sobrecarga. Recomendamos desenchufar la limadora de uñas si no se usa durante siete días o más.



ESTADO DE LOS INDICADORES LUMINOSOS DE LA LIMADORA DE UÑAS	
Limadora de uñas en funcionamiento	Estado de los indicadores luminosos
Carga completa	Luz de BATERÍA LLENA parpadea
Carga baja	Luz de CARGA DE BATERÍA parpadea
Velocidad turbo	Luz de velocidad TURBO (ROJA) encendida
Limadora de uñas en proceso de carga	Estado de los indicadores luminosos
Durante la carga	Luz de CARGA DE BATERÍA encendida Luz de BATERÍA LLENA parpadea
Completamente cargado	Luz de CARGA DE BATERÍA apagada Luz de BATERÍA LLENA encendida



LUCES INDICADORAS DE LA LIMADORA DE UÑAS

Consulte la tabla de la página 13 para conocer los distintos estados de carga y las luces indicadoras correspondientes.

SI NO SE CARGA

1. Asegúrese de que haya tensión eléctrica en el tomacorriente de pared (confirme esto usando un aparato que sepa que funciona correctamente).
2. Compruebe que el enchufe del cable del adaptador esté firmemente enchufado en la parte inferior de la limadora de uñas. Si aun así no logra cargarla, devuelva la limadora de uñas a Andis o a un centro de servicio autorizado de Andis para su verificación y reparación o reemplazo.

OPERACIÓN SIN CABLE

La luz verde de BATERÍA LLENA parpadeará cuando la batería esté completamente cargada. Cuando la batería tenga poca carga, la luz verde de BATERÍA LLENA se apagará y la luz roja de CARGA DE BATERÍA parpadeará (Figura A).

Cuando la batería se haya agotado completamente (después de unos 180 minutos de uso), la luz roja de CARGA DE BATERÍA se apagará para indicar que la batería debe recargarse o que la limadora de uñas debe usarse con el cable del adaptador (Figura A).

USO CON EL CABLE DEL ADAPTADOR

Si la limadora de uñas se apaga durante su uso, es posible conectar el cable del adaptador para seguir usándola. Cuando la unidad se usa con el cable del adaptador conectado, la luz de BATERÍA LLENA permanece encendida y la luz roja de CARGA DE BATERÍA parpadea (Figura A).

USO DE LOS ACCESORIOS DE LIMADO

La limadora de uñas Andis incluye una piedra de limado cónica, una rueda de limado y una cubierta de seguridad multifunción (Figura A). Se recomienda usar únicamente accesorios Andis diseñados para la limadora de uñas CNG-1.

La cubierta de seguridad multifunción tiene tres orificios, aptos para mascotas grandes o pequeñas (Figura B). **La cubierta de seguridad multifunción sólo debe usarse con la rueda de limado.**

- Use el orificio "A" para mascotas pequeñas.
- Use el orificio "B" para mascotas grandes.
- Use el orificio "C" para limar uñas rápidamente. Use el pulgar y el dedo índice

para sujetar la pata de su mascota y toque la limadora con la uña ligeramente para comenzar a limarla. **No deje que la uña mantenga contacto con la piedra de limado durante más de tres segundos cada vez (Figura B).**

Para quitar la cubierta de seguridad multifunción: Gírela en sentido antihorario y tire de ella hacia arriba (Figura C).

Para quitar la rueda de limado: Agarre la rueda de limado y tire de ella hacia arriba.

Para colocar una nueva rueda de limado: Introduzca una nueva rueda de limado en la ranura y presiónela hacia abajo con fuerza.

IMPORTANTE: Antes de cada uso, asegúrese de que la piedra de limado esté bien fijada. Si se suelta mientras se usa, el accesorio puede salir disparado de la limadora de uñas y provocar lesiones.

ANTES DE LIMAR

Antes de limar las uñas de un perro:

1. Acostumbre al perro al contacto y la manipulación de las patas antes de mostrarle la limadora de uñas. Dedique unos minutos a jugar con sus patas mientras le da refuerzos positivos.
2. Déjele que huela la limadora de uñas mientras está apagada.
3. Encienda la limadora para que pueda habituarse al sonido que emite. Haga que se siente mientras usted sostiene la herramienta encendida en su mano.
4. Una vez que el perro se haya habituado a la herramienta, pruebe a tocarle las uñas con ella. No las lime todavía.
5. Quizá tenga que repetir los pasos anteriores unas pocas veces.

ANATOMÍA DE LAS UÑAS

Antes de limar las uñas de su perro, debe identificar la zona viva de las mismas. La zona viva es la parte blanda interna de la uña que contiene vasos sanguíneos y terminaciones nerviosas; está rodeada de un recubrimiento externo duro (Figura D). Si alcanza o corta la zona viva, el perro sentirá dolor y puede sangrar.

En los perros con uñas de color claro, la zona viva suele tener un color rosado que hace que sea más fácil de evitar. En los perros con uñas de color oscuro, la zona viva de la uña suele ser un punto negro situado en mitad del área de limado. En ambos casos, lime de poco en poco y preste atención a la zona viva.

SEGURIDAD DEL PERRO Y APAGADO AUTOMÁTICO

El perro debe estar bien sujeto durante el limado. Podría ser útil que otra persona le ayude a sujetarlo en caso de ser necesario.

Mantenga el pelo alejado de las piezas giratorias. Si se enreda pelo en la herramienta o si se aplica presión excesiva a la rueda de limado, la unidad se detendrá automáticamente. Si la unidad se detiene automáticamente, esperará y se reiniciará después de unos pocos segundos, una vez que ya no detecte presión y se haya extraído el pelo.

LIMADO DE UÑAS

Su limadora de uñas Andis ofrece velocidad NORMAL y TURBO. Use la opción NORMAL para la mayoría de los limados de uñas. Use la opción TURBO para los perros de mayor tamaño.

1. Encienda la limadora de uñas; empezará a funcionar a velocidad NORMAL. Para usar la velocidad TURBO, pulse el botón de ENCENDIDO/APAGADO dos veces. La luz turbo será ROJA.
2. Introduzca el pulgar entre los dedos del perro para separarlos y sujete el pie con firmeza. Aparte el pelo largo del pie para evitar que se enrede y dé tirones. Puede probar a colocar una media de nailon sobre el pie y atravesarla con las uñas para manipularlas con facilidad y evitar que el pelo se interponga en su trabajo.
3. Sujete el dedo y la uña con una mano y utilice la limadora con la otra. Esto reduce al máximo las vibraciones y es más cómodo para el perro.
4. Para conseguir un borde suave, empiece a limar desde abajo y vaya subiendo hasta la punta de la uña.
5. Utilice un movimiento continuo de lado a lado al limar cada uña; sujetar la punta en un lugar durante demasiado tiempo puede causar un limado desigual y excesivo. **No deje que la uña mantenga contacto con la rueda o la piedra de limado durante más de tres segundos cada vez.**
6. **IMPORTANTE: No aplique una fuerza excesiva al limar.** Deje que la limadora haga el trabajo. No aplique presión a la uña con la rueda de limado en movimiento. La presión puede provocar el sobrecalentamiento de la uña, lo que causará dolor al perro.
7. Mantenga la limadora de uñas alejada de la uña al comenzar; de lo contrario, podría "engancharse" la uña provocando pérdida de control o lesionando al perro.

MANTENIMIENTO POR PARTE DEL USUARIO

El mecanismo interno de su limadora de uñas ha sido lubricado de manera permanente en la fábrica. No debe realizarse ningún tipo de mantenimiento que no sea el recomendado en este manual, salvo por Andis Company o por un centro de servicio autorizado de Andis. **Para comunicarse directamente con Andis, llame a nuestro equipo de servicio al cliente al 1-800-558-9441 o envíenos un correo electrónico a support@andisco.com.**

LIMPIEZA Y MANTENIMIENTO

- Apague la limadora de uñas y quite la cubierta de seguridad multifunción girándola en sentido antihorario para desengancharla y tirando de ella directamente hacia arriba.
- Utilice un cepillo o sople para quitar los restos que queden en la limadora después de cada uso.
- Use un paño suave para limpiar la limadora de uñas.
- Reemplace los accesorios de limado cuando se desgasten.
- Verifique el buen estado de los cables y de la limadora de uñas periódicamente.

PRECAUCIÓN : No utilice nunca la limadora de uñas Andis mientras usa un grifo abierto, ni la ponga debajo de este ni la introduzca en agua. Existe el riesgo de que se produzca una descarga eléctrica y de daños al aparato. **Andis Company no será responsable en el caso de lesión debido a esta falta de cuidado.**

GARANTÍA LIMITADA DE 12 MESES DE ANDIS

Este producto Andis está garantizado contra defectos en los materiales y en la mano de obra durante 12 meses a partir de la fecha de compra. Todas las garantías expresas e implícitas que surjan de, y por virtud de, las leyes del Estado, también estarán limitadas a 12 meses a partir de la fecha de compra. Todo producto Andis que Andis determine como defectuoso en cuanto a los materiales o la mano de obra durante el período de garantía será reparado o reemplazado, a entera discreción de Andis, sin costo al consumidor por las piezas y la mano de obra requeridas. Para cumplir con los requisitos exigidos por esta garantía limitada, el producto defectuoso deberá devolverse como una encomienda asegurada o por medio de U.P.S., con evidencia de compra, a: Andis, 1800 Renaissance Blvd., Sturtevant, WI 53177, EE. UU. Sírvase incluir una carta que describa la naturaleza del problema.

Debido a la materia extraña que a veces se encuentra en el cabello y por otros motivos, ni las cuchillas de la máquina de corte ni el realfilado de las cuchillas están sujetos a esta garantía limitada. Andis no será responsable por el reemplazo, por el costo de reparaciones o por alteraciones hechas a sus productos por cualquier otra persona, agencia o compañía. Salvo lo indicado más arriba, Andis no proporciona y expresamente renuncia a cualquier garantía de comerciabilidad o idoneidad para un propósito en particular, o a cualquier otra garantía de cualquier tipo. Andis no será responsable bajo ninguna circunstancia por los daños incidentales o consecuenciales de ningún tipo, ni por cualquier tipo de responsabilidad que pudiera surgir debido al uso de accesorios no autorizados. Es posible que algunos estados no permitan la exclusión o limitación con respecto a daños incidentales o consecuenciales, de modo que la limitación o exclusión puede no aplicarse a su caso en particular.

Fecha de compra _____ Modelo _____

Para encontrar un Centro de Servicio Autorizado de Andis cerca de su localidad, visite andis.com o póngase en contacto con nuestro departamento de servicio al cliente: 1-800-558-9441 (EE. UU.).

ADVERTENCIA: SIN GARANTÍA SI SE COMPRA DE VENDEDORES NO AUTORIZADOS DE PRODUCTOS ANDIS

Para asegurarse de recibir un producto auténtico, seguro, de calidad, deberá comprar los productos Andis únicamente por medio de vendedores autorizados. Visite andis.com o póngase en contacto con nuestro departamento de servicio al cliente al 1-800-558-9441 (EE. UU.) para obtener una lista de nuestros vendedores autorizados. Estos vendedores están aprobados o certificados por nuestra compañía. Si no compra por medio de una de estas compañías, no podemos asegurar la autenticidad o el estado de los productos Andis ni tampoco podemos ofrecer nuestra garantía y servicios relacionados por cualquier producto comprado de un vendedor no autorizado. Toda garantía de este tipo será nula y se denegarán todos los reclamos bajo la garantía que se hagan por un producto comprado a un vendedor no autorizado. Tampoco se autoriza la venta o uso por parte de estos vendedores no autorizados de nuestros productos, así como de imágenes de marketing, logotipos, marcas comerciales y material con derechos de autor relacionados con nuestros productos.

Lire le mode d'emploi en entier avant d'utiliser la ponceuse à ongles Andis. Si cet appareil est traité comme un instrument de précision, il devrait donner des années de bons services.

MISES EN GARDE IMPORTANTES

Pendant l'utilisation d'un appareil électrique, il faut toujours suivre certaines règles de sécurité; notamment, **il faut lire toutes les instructions avant d'utiliser la ponceuse à ongles Andis.**

DANGER : Pour réduire le risque d'électrocution :

1. Ne pas tenter de récupérer la ponceuse à ongles si elle est tombée dans l'eau. La débrancher immédiatement.
2. Ne pas utiliser cet appareil dans le bain ou sous la douche.
3. Ne pas déposer ni ranger la ponceuse à ongles à un endroit d'où elle pourrait tomber dans une baignoire ou un lavabo. Ne pas mettre l'appareil dans l'eau ou dans un autre liquide.
4. Toujours débrancher la ponceuse à ongles de la prise murale immédiatement après l'utilisation.
5. Débrancher la ponceuse à ongles avant de la nettoyer, de la déplacer ou d'installer une pièce.

AVERTISSEMENT : Pour réduire les risques de brûlure, d'incendie, d'électrocution et de blessure :

1. Une supervision étroite est requise lorsque des enfants ou des personnes avec certaines invalidités utilisent la ponceuse à ongles ou se trouvent à proximité.
2. Utiliser cet appareil seulement pour l'usage prévu décrit dans ce manuel. Utiliser uniquement les accessoires recommandés par Andis.

3. Ne jamais utiliser la ponceuse à ongles si son cordon ou sa fiche de branchement est endommagé, si elle ne fonctionne pas correctement, si elle est tombée par terre, si elle est endommagée ou si elle est tombée dans l'eau. La retourner à un centre de réparation agréé par Andis pour examen et réparation.
4. Garder le cordon à l'écart de surfaces chaudes ou coupantes.
5. Ne jamais insérer un objet quelconque dans une ouverture de l'appareil.
6. Ne pas utiliser l'appareil à l'extérieur, dans un endroit où des aérosols ou d'autres produits inflammables sont employés ou encore dans un endroit où l'on administre de l'oxygène.
7. Ne pas toucher au collier ou à l'accessoire après usage. Ils peuvent être chauds et causer des brûlures.
8. Pour débrancher, mettre l'interrupteur sur OFF, puis retirer la fiche de la prise murale.
9. Toujours porter des lunettes de sécurité en utilisant la ponceuse à ongles. Ne pas porter de bijoux ou de vêtements lâches durant l'utilisation. Tenir les cheveux attachés derrière la tête, à l'écart de la zone de travail.
10. Ne pas laisser l'animal lécher ou toucher à la ponceuse à ongle durant l'utilisation.
11. Pour éviter d'endommager l'ongle, ne pas tenir la bande de ponçage à un endroit sur l'ongle ni trop appuyer sur l'ongle durant le ponçage.
12. S'assurer que les accessoires sont solidement attachés avant usage.
13. Ne pas laisser la ponceuse à ongles sans surveillance une fois qu'elle est branchée.
14. **AVERTISSEMENT** : Pendant l'utilisation, ne pas mettre l'appareil à un endroit où il risque d'être (1) endommagé par un animal ou (2) exposé aux intempéries.

15. La batterie doit être retirée de l'appareil avant son élimination.
16. L'appareil doit être débranché de la source d'alimentation avant le retrait de la batterie.
17. On doit éliminer la batterie de manière sécuritaire.
18. Utiliser uniquement le chargeur fourni par le fabricant pour recharger.

CONSERVER CES INSTRUCTIONS

CET APPAREIL EST DESTINÉ À UN USAGE PROFESSIONNEL ET DOMESTIQUE

MODE D'EMPLOI

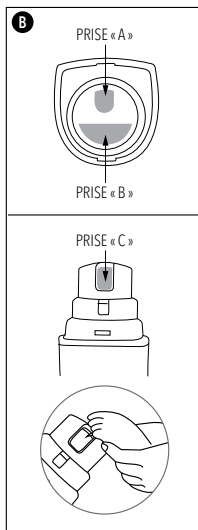
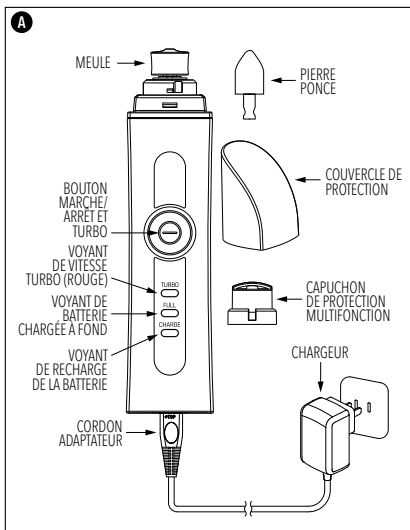
Avant de démarrer la ponceuse à ongles, la charger à fond avant de l'utiliser pour la première fois. Pour démarrer la ponceuse à ongles, appuyer sur le bouton Marche/Arrêt; pour l'arrêter, appuyer de nouveau sur ce bouton. Pour activer la vitesse TURBO (7 400 tr/min), appuyer deux fois sur le bouton Marche/Arrêt; pour repasser à la vitesse NORMALE (6 500 tr/min), appuyer deux fois sur le bouton Marche/Arrêt (Figure A).

ALIMENTATION

Cet appareil est équipé d'un adaptateur secteur (~/-)/chargeur de batterie universel (Figure A).

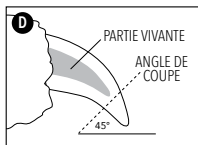
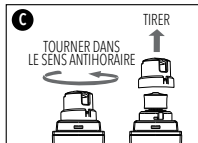
RECHARGE DE LA PONCEUSE À ONGLES

L'utilisation du chargeur de batterie est destiné à la ponceuse à ongles Andis CNG-1. Enlever la ponceuse à ongles et le chargeur de la boîte. Brancher le chargeur sur une prise 120 V~ (ou une autre prise, en fonction des normes locales) (Figure A). Confirmer la tension disponible à l'étranger avant d'utiliser l'appareil. Pour un branchement sur une alimentation de 240 V, utiliser un adaptateur correspondant à la prise secteur.



INTERPRÉTATION DES VOYANTS D'ÉTAT DE LA PONCEUSE À ONGLES

Ponceuse à ongles en cours d'utilisation	Comportement des voyants
Charge complète	Le voyant FULL clignote
Faible charge	Le voyant CHARGE clignote
Vitesse turbo	Voyant TURBO allumé (ROUGE)
Ponceuse à ongles en cours de charge	Comportement des voyants
Recharge en cours	Le voyant CHARGE est allumé Le voyant FULL clignote
Complètement chargé	Le voyant CHARGE est éteint Le voyant FULL est allumé



La ponceuse à ongles doit être arrêtée avant le branchement du chargeur sur la prise secteur. Brancher le cordon de l'adaptateur directement sur le bas de la ponceuse à ongles (Figure A). La ponceuse à ongles a une batterie lithium-ion qui ne risque pas d'être abîmée en cas de surcharge. Il est toutefois recommandé de débrancher la ponceuse à ongles si elle ne doit pas être utilisée pendant sept jours ou plus.

VOYANTS DE LA PONCEUSE À ONGLES

Pour l'état de charge et les voyants correspondants, voir le tableau de la page 22.

EN CAS D'ÉCHEC DE LA RECHARGE

1. Vérifier si la prise secteur est alimentée (en y branchant un appareil qui fonctionne).
2. S'assurer que la fiche du cordon adaptateur est bien branchée sous la ponceuse à ongles. Si elle ne se recharge toujours pas, l'envoyer à Andis ou à un centre de service agréé par Andis pour examen et réparation ou remplacement.

FONCTIONNEMENT SANS FIL

Le voyant vert FULL clignote une fois la batterie chargée à fond. Lorsque la charge de la batterie est faible, le voyant vert FULL s'éteint et le voyant rouge CHARGE clignote (Figure A).

Une fois la batterie entièrement déchargée (après environ 180 minutes d'utilisation), le voyant rouge CHARGE s'éteint, indiquant que la batterie doit être rechargée ou que la ponceuse à ongles doit être utilisée avec le cordon adaptateur (Figure A).

UTILISATION AVEC LE CORDON ADAPTATEUR

Si la ponceuse à ongles se met hors tension au milieu d'une coupe, le cordon adaptateur peut être branché pour permettre la reprise du travail. Lorsque l'appareil fonctionne avec le cordon adaptateur branché, le voyant vert FULL reste allumé et le voyant rouge CHARGE clignote (Figure A).

UTILISATION DES ACCESSOIRES DE LA PONCEUSE

La ponceuse à ongles Andis est fournie avec une pierre ponce conique, une meule et un capuchon de protection multifonction (Figure A). Il est recommandé d'utiliser seulement des accessoires Andis spécialement conçus pour la ponceuse à ongles CNG-1.

Le capuchon de protection multifonction a trois prises adaptées à une utilisation sur des animaux domestiques petits ou grands (Figure B). **Le capuchon de protection multifonction doit seulement être utilisé avec la meule.**

- Utiliser la prise A pour les petits animaux domestiques.
- Utiliser la prise B pour les gros animaux domestiques.
- Utiliser la prise C pour le ponçage rapide des ongles. Utiliser le pouce et l'index pour tenir la patte de l'animal et appuyer légèrement sur la ponceuse pour commencer à poncer l'ongle. **Ne pas laisser la pierre ponce contre l'ongle pendant plus de trois secondes à la fois (Figure B).**

Pour enlever le capuchon de protection multifonction : tourner dans le sens inverse des aiguilles d'une montre pour déverrouiller et tirer droit vers le haut (Figure C).

Pour enlever la meule : saisir la meule et tirer droit vers le haut.

Pour insérer une nouvelle meule : insérer une nouvelle meule dans la fente et pousser fermement vers le bas.

IMPORTANT : Avant chaque utilisation, s'assurer que la pierre ponce ou la meule est bien sécurisée. Si elle se desserre en cours d'utilisation, l'accessoire pourra être éjecté de la ponceuse à ongles et causer des blessures.

AVANT DE PONCER

Avant de poncer les ongles du chien :

1. Prendre l'habitude de toucher et manipuler les pattes du chien avant de lui montrer la ponceuse à ongles. Prendre quelques minutes pour manipuler ses pattes tout en l'encourageant.
2. Lui laisser renifler la ponceuse à ongles à l'arrêt.
3. Mettre la ponceuse en marche pour qu'il s'habitue au bruit qu'elle fait. Lui demander de s'asseoir en tenant l'outil dans la main et en marche.
4. Une fois le chien habitué à l'outil, essayer de le mettre en contact avec ses ongles. Ne pas commencer le ponçage proprement dit pour l'instant.
5. Il faudra peut-être répéter les étapes précédentes plusieurs fois.

ANATOMIE D'UN ONGLE

Avant de poncer les ongles du chien, il faut identifier sa partie vivante. La partie vivante est la partie intérieure molle de l'ongle qui contient des vaisseaux sanguins et des terminaisons nerveuses; elle est enveloppée d'une couche extérieure dure (Figure D). Si vous touchez ou coupez la partie vivante, le chien aura mal et risque de saigner.

Chez les chiens à ongles clairs, la partie vivante est généralement de couleur rose, ce qui permet de l'éviter facilement. Chez les chiens à ongles foncés, la partie vivante est généralement une tache foncée au milieu de la zone de ponçage. Dans les deux cas, poncez petit à petit et continuez à vérifier la partie vivante.

SÉCURITÉ DU CHIEN ET ARRÊT AUTOMATIQUE

Le chien doit être maîtrisé durant le ponçage. Il pourra être utile de demander à quelqu'un d'autre d'aider à maîtriser le chien au besoin.

Tenir les poils à l'écart des pièces en rotation. Si les poils se prennent dans l'outil ou si une pression excessive est appliquée à la meule, l'appareil s'arrêtera automatiquement. Si l'appareil s'arrête automatiquement, il se réarmera et redémarrera après quelques secondes, une fois la pression relâchée ou les poils retirés.

PONÇAGE DES ONGLES

La ponceuse à ongles Andis fonctionne en vitesse NORMALE ou TURBO. Utiliser le réglage NORMAL pour la plupart des besoins de ponçage des ongles. Utiliser le réglage TURBO pour les gros chiens.

1. Mettre la ponceuse à ongles sous tension; elle démarrera à vitesse NORMALE. Pour utiliser la vitesse TURBO, cliquer deux fois sur le bouton Marche/Arrêt. Le voyant Turbo sera ROUGE.
2. Séparer les orteils du chien en plaçant le pouce entre les coussinets et bien caler sa patte. Dégager les poils du pied pour éviter qu'ils se prennent dans l'appareil ou ne pas risquer de tirer dessus. Essayer de placer un bas de nylon sur la patte et de pousser les ongles à travers le nylon pour faciliter l'accès aux ongles tout en tenant les poils à l'écart.
3. Soutenir l'orteil et l'ongle d'une main tout en utilisant la ponceuse de l'autre. Ceci permet de maintenir les vibrations au minimum et favorise le confort du chien.
4. Pour obtenir un bord lisse, poncer à partir de la base de l'ongle vers l'extrémité.
5. Utiliser un mouvement latéral continu pour poncer chaque ongle; le maintien de l'extrémité en un endroit pendant trop longtemps peut causer un ponçage irrégulier ou excessif. **Ne pas laisser la meule ou la pierre ponce contre l'ongle pendant plus de trois secondes à la fois.**
6. **IMPORTANT :** Ne pas trop appuyer durant le ponçage. Laisser la vitesse de la ponceuse faire toute seule le travail. Ne pas appuyer sur l'ongle avec la meule en rotation. Une pression fera chauffer l'ongle et causera des douleurs au chien.
7. Tenir la ponceuse à l'écart de l'ongle au démarrage, car elle risque de se prendre dans l'ongle et de causer une perte de contrôle et des blessures au chien.

ENTRETIEN

Le mécanisme interne de la ponceuse a été lubrifié en permanence à l'usine. Sauf pour les mesures d'entretien décrites dans ce mode d'emploi, tout entretien doit être confié à Andis ou à un centre de réparation agréé par Andis. **Pour contacter Andis directement, appeler notre service client au 1 800 558-9441 ou nous envoyer un courriel à support@andisco.com.**

NETTOYAGE ET MAINTENANCE

- Arrêter la ponceuse à ongles et enlever le capuchon de protection multifonction en tournant dans le sens inverse des aiguilles d'une montre avant de tirer droit vers le haut.
- Brosser ou souffler pour enlever la poussière et autres particules de la ponceuse à ongles après chaque utilisation.
- Utiliser un chiffon doux pour essuyer la ponceuse.
- Remplacer les accessoires de ponçage usés.
- Vérifier périodiquement l'état des cordons et de la ponceuse.

ATTENTION : Ne jamais manipuler la ponceuse Andis en ouvrant un robinet d'eau et ne jamais tenir la tondeuse sous un robinet d'eau ni la plonger dans l'eau. Il y aurait risque d'électrocution et d'endommagement de la ponceuse. **Andis Company ne pourra être tenue responsable de blessures qui font suite à une négligence.**

GARANTIE LIMITÉE DE 12 MOIS D'ANDIS

Andis garantit ce produit à l'acheteur initial contre tout défaut de matériau ou de fabrication pendant 12 mois à compter de la date d'achat. Toutes les garanties expresses et implicites découlant du produit et applicables à celui-ci en vertu de la législation de l'État sont également limitées à 12 mois à compter de la date d'achat. Si, pendant la période de garantie, un produit Andis ne fonctionne pas correctement par suite d'un défaut de fabrication ou de matériau, Andis remplacera ou réparera, à sa seule discrétion, le produit sans frais pour les pièces et la main-d'œuvre. Le produit défectueux doit être envoyé par colis postal assuré ou par UPS, accompagné d'une preuve d'achat, à : Andis, 1800 Renaissance Blvd., Sturtevant, WI 53177 États-Unis. Veuillez inclure une lettre décrivant la nature du problème.

Étant donné, entre autres, que les cheveux peuvent contenir des matières étrangères, ni les lames ni l'affûtage des lames ne sont compris dans cette garantie limitée. Andis ne sera pas responsable du remplacement, du coût des réparations ou des modifications apportées à ses produits par toute autre personne, agence ou société. À l'exception de ce qui est indiqué ci-dessus, Andis ne fournit pas et décline expressément toute garantie implicite de qualité marchande ou d'adéquation à un usage particulier, ou toute autre garantie de quelque nature que ce soit. En aucun cas, Andis ne sera responsable des dommages accessoires ou indirects de quelque type que ce soit, ou de toute responsabilité découlant de l'utilisation de pièces jointes non autorisées. Certains États n'autorisant pas la limitation ou l'exclusion des dommages indirects ou accessoires, il se peut que la limitation ou l'exclusion qui précède ne s'applique pas dans votre cas.

Date d'achat _____ Modèle _____

Pour le centre de SAV autorisé le plus proche, consultez le site andis.com ou contactez notre service clientèle au : 1 800 558-9441 (É.-U.).

AVERTISSEMENT : AUCUNE GARANTIE SI LES PRODUITS ANDIS SONT ACHETÉS AUPRÈS DE VENDEURS NON AUTORISÉS

Pour vous assurer de recevoir un produit authentique, sécuritaire et de qualité, vous devez acheter les produits Andis uniquement par l'intermédiaire de vendeurs autorisés. Connectez-vous à andis.com ou contactez notre service clientèle au 1 800 558-9441 (É.-U.) pour consulter la liste de nos vendeurs autorisés. Ces vendeurs sont agréés ou certifiés par notre société. Si vous n'achetez pas par l'intermédiaire de l'une de ces sociétés, nous ne pouvons pas garantir l'authenticité ou l'état des produits Andis, ni offrir notre garantie et nos services connexes pour tout produit acheté auprès d'un vendeur non autorisé. Toute garantie de ce type est nulle et toute demande de garantie faite pour un produit acheté auprès d'un vendeur non autorisé sera rejetée. Toute vente ou utilisation par ces vendeurs non autorisés de nos produits, ainsi que des images commerciales, logos, marques commerciales et matériel protégé par le droit d'auteur sur nos produits, est également non autorisée.



© 2021 ANDIS COMPANY
1800 Renaissance Blvd. Sturtevant, WI 53177
1-800-558-9441 | info@andisco.com

FORM #103294
PRINTED IN CHINA

ANDIS.COM | *SINCE 1922*