

andis®



MODEL LCL

LITERATURE PACKET #04985

Item pictured may differ from actual product
El artículo ilustrado puede diferir del producto real
Il est possible que l'article sur la photo soit différent du produit réel

Use & Care Instructions

ENGLISH

Please read the following instructions before using your new Andis clipper. Give it the care that a fine, precision built instrument deserves and it will give you years of service.

IMPORTANT SAFEGUARDS

When using an electrical appliance, basic precautions should always be followed, including the following: **Read all instructions before using the Andis clipper.**

DANGER: To reduce the risk of electric shock:

1. Do not reach for an appliance that has fallen into water. Unplug immediately.
2. Do not use while bathing or in a shower.
3. Do not place or store appliance where it can fall or be pulled into a tub or sink. Do not place in or drop into water or other liquid.
4. Except when charging, always unplug this appliance after use.
5. Unplug this appliance before cleaning, removing or assembling parts.

WARNING: To reduce the risk of burns, fire electric shock, or injury to persons:

1. An appliance should never be left unattended when plugged in.
2. This appliance is not intended for use by persons (including children) with reduced physical, sensory or mental capabilities, or lack of experience and knowledge, unless they have been given supervision or instruction concerning use of the appliance by a person responsible for their safety.
3. Children should be supervised to ensure that they do not play with the appliance.
4. Use this appliance only for its intended use as described in this manual. Do not use attachments not recommended by Andis.
5. Never operate this appliance if it has a damaged cord or plug, if it is not working properly, if it has been dropped or damaged, or dropped into water. Return the appliance to an

- Andis Authorized Service Station for examination and repair.
6. Keep the cord away from heated surfaces.
7. Never drop or insert any object into any opening.
8. Do not use outdoors or operate where aerosol (spray) products are being used or where oxygen is being administered.
9. Do not use this appliance with a damaged or broken blade or comb, as injury to the skin may occur.
10. Always attach plug to appliance first, then to outlet.
11. Unplug charger before plugging or unplugging appliance.
12. To disconnect turn control to OFF then remove plug from outlet.
13. Plug adapter cord directly into an AC outlet. Do not use an extension cord.
14. Use of an adapter cord or plug not sold by Andis may result in risk of fire, electric shock, or injury to person.
15. Do not disassemble adapter cord or plugs. Incorrect reassembly may result in a risk of electric shock or fire. When repair is required, send or take it to an Andis Authorized Service Station.
16. **WARNING: For the purposes of recharging the battery, only use the AC adapter unit provided with this appliance.**
17. The battery in this clipper is designed to provide maximum trouble-free life. However, like all batteries, it will eventually wear out. Do not attempt to replace battery. When repair or replacement is required, send or take it to an Andis Authorized Service Station.
18. Batteries can be harmful to the environment if disposed of improperly. Many communities offer recycling or battery collection. Contact your local government about disposal practices in your area.
19. **WARNING: Never touch both terminals on clipper with metal objects and/or body parts, as short circuit may result. Keep away from children. Failure to comply with these warnings could result in fire or serious injury.**
20. **WARNING: Risk of fire, explosion or burns. Do not crush, disassemble, heat above 100°C, or incinerate.**
21. **WARNING: During use, do not place or leave appliance where it may be (1) damaged by an animal or (2) exposed to the weather.**

SAVE THESE INSTRUCTIONS

THIS APPLIANCE IS INTENDED FOR TRIMMING PURPOSES ONLY
THIS PRODUCT INTENDED FOR PROFESSIONAL USE

OPERATING INSTRUCTIONS

- The battery is not intended to be replaced by the user.
- The battery must be removed from the appliance before it is scrapped.
- The appliance must be disconnected from the supply mains when removing the battery.
- The battery is to be disposed of safely.

CHARGING CLIPPER

The AC adapter is intended for use with Andis Model LCL lithium-ion battery with a rated capacity of 4.5V --- 1.2A. Remove the clipper and AC adapter from the carton. Plug the AC adapter into a 100-120V, 50-60 cycle AC outlet, or as noted on the unit. Plug the adapter cord directly into the receptacle on the bottom of the clipper (Figure A). The clipper ON/OFF switch must be in the OFF position for the battery to charge. The green light on the clipper will turn ON when the clipper is charging. When clipper is fully charged, the green light will turn OFF.

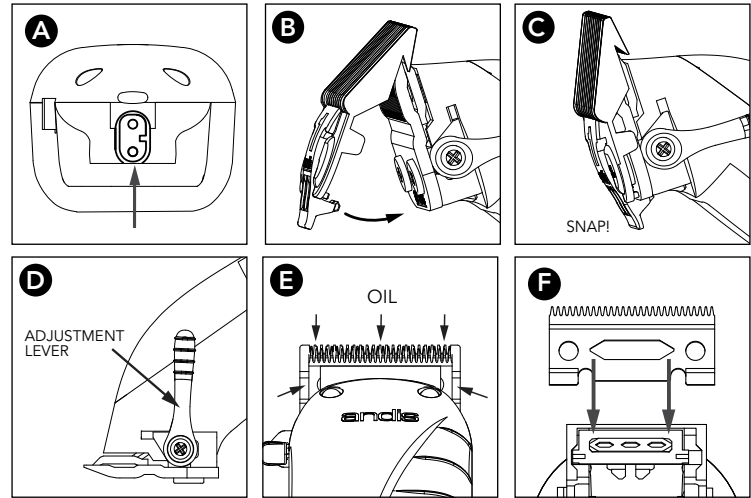
The clipper has not been charged at the factory. Please charge the clipper for 3-5 hours before FIRST use for maximum performance. When battery is fully charged, clipper can be used for up to 90 minutes of continuous run time. After first use, clipper will fully charge in a minimum of 2 hours.

FAILURE TO CHARGE

1. Make sure voltage is present at the wall outlet (confirm with an appliance you know is working).
2. Make sure ON/OFF switch on the clipper is OFF.
3. Check to make sure adapter cord is plugged firmly into clipper.
4. If failure to charge still exists, return clipper to Andis or an Andis Authorized Service Station for examination and repair or replacement.

CORDED OPERATION

If the clipper powers OFF in the middle of a clipping job, the adapter cord can be attached to continue use in corded operation. When the clipper is running with the adapter cord attached, the green light will remain ON even if the battery is not fully charged. The clipper will not charge **while in use** with the cord attached. After using your Andis clipper, rewrap cord and store in a safe place.



CLIPPING GUIDE			
Description	Clipping Direction	Approximate Length of Cut	
		Fine	Coarse
Standard Andis Blade	With hair grain	1/16" (1.6 mm)	3/16" (4.8 mm)
	Against hair grain	1/32" (0.8 mm)	1/8" (3.2 mm)
1/8" Attachment Comb	With hair grain	1/4" (6.4 mm)	3/8" (9.5 mm)
	Against hair grain	1/8" (3.2 mm)	1/4" (6.4 mm)
1/4" Attachment Comb	With hair grain	3/8" (9.5 mm)	1/2" (12.7 mm)
	Against hair grain	1/4" (6.4 mm)	3/8" (9.5 mm)
3/8" Attachment Comb	With hair grain	1/2" (12.7 mm)	5/8" (15.9 mm)
	Against hair grain	3/8" (9.5 mm)	1/2" (12.7 mm)
1/2" Attachment Comb	With hair grain	5/8" (15.9 mm)	7/8" (22.2 mm)
	Against hair grain	1/2" (12.7 mm)	5/8" (15.9 mm)
3/4" Attachment Comb	With hair grain	7/8" (22.2 mm)	1-1/8" (28.6 mm)
	Against hair grain	3/4" (19.0 mm)	1" (25.4 mm)
1" Attachment Comb	With hair grain	1-1/8" (28.6 mm)	1-3/8" (34.9 mm)
	Against hair grain	1" (25.4 mm)	1-1/4" (31.8 mm)

USING THE ATTACHMENT COMBS

(Some models do not have combs and sizes will vary by kit)

You can set the blades for a longer cut by using any of the attachment combs made for your Andis clipper. The combs mount easily; simply slip the cutter blade teeth into comb and snap the comb down. To remove, simply snap off (Figures B & C). These attachment combs guide hair into the blades and give you precise control of hair lengths. The length of trim is indicated on the attachment comb. Use the chart to find the approximate lengths of cut. Different blade angles in relation to the skin, thickness and texture of the hair will vary the cutting length.

CLIPPER BLADE ADJUSTMENT

Your Andis adjustable clipper blade set is easy to adjust. From coarse to fine cuts, all that is needed is a flick of the adjustment lever with your thumb. In the upright position, the blades are set for the finest, or shortest cuts (Figure D).

USER MAINTENANCE

The internal mechanism of your clipper has been permanently lubricated at the factory. Other than the recommended maintenance described in this manual, no other maintenance should be performed, except by Andis Company or an Andis Authorized Service Station.

BLADE TEMPERATURE

Due to the high speed nature of Andis clippers, please check for blade heat often, especially on close cutting blades. If blades are too hot, dip the **blades only** into Andis Blade Care Plus or apply Andis Cool Care Plus and then Andis Clipper Oil. If you have a detachable blade unit, you can change your blade in order to maintain a comfortable temperature; using multiple blades of the same size is popular among groomers.

CARE AND SERVICING OF YOUR ANDIS CLIPPER BLADES

The blades should be oiled before, **during**, and after each use. If your clipper blades leave streaks or slow down, it's a sure sign the blades need oil. Place a few drops of Andis Clipper Oil on the front and side of the cutter blades (Figure E). Wipe excess oil off the blades with a soft, dry cloth. Spray lubricants contain insufficient oil for good lubrication, but are an excellent clipper coolant. Always replace broken or nicked blades to prevent injury. You can clean the excess hair from your blades by using a small brush or an old toothbrush. To clean the blades we suggest immersing the **blades only** into a shallow pan of Andis Blade Care Plus while the clipper is running. Any excess hair and dirt that has accumulated between the blades should come out. After cleaning, turn your clipper off, dry the blades with a dry cloth, and start clipping again.

REMOVING AND REPLACING THE BLADE SET

To remove the blades, first unplug the clipper from the electrical outlet. Turn the clipper upside down so that the blade teeth are pointing down. You may want to place the clipper on a flat surface to do this. Unscrew the screws on the blades. Remove the blades.

To replace the blades, put the smaller, upper blade back into position (Figure F). Line up the screw holes in the bottom blade with the two holes in the clipper housing, and replace the screws. Do not tighten down the screws completely. Turn the clipper over and align the lower blade so the teeth on both blades are parallel, but with the lower blade's teeth slightly above the upper blade's teeth. Failure to do this may result in nipping the skin when cutting the hair.

USE GUIDELINES FOR LITHIUM-ION BATTERIES

1. The lithium-ion battery included with your clipper does not develop a "memory effect" like a nickel-metal hydride (NiMH), or nickel cadmium (NiCd) battery. You can plug the adapter cord into the clipper at any time for a full charge, or even use the battery before a charge cycle is complete. Like most rechargeable batteries, lithium-ion batteries perform best when used frequently.
2. For maximum battery life, store the clipper in a partially discharged condition if the unit will be unused for several months.
3. Do not store clipper under 50°F or over 104°F. Do not expose clipper to excessively damp conditions.
4. Avoid locating the clipper near heat vents, radiators, or in direct sunlight. Optimum charging will result where the temperature is stable. Sudden increases in temperature can result in the battery receiving less than a full charge.
5. Many factors influence lithium-ion battery life. A battery that has received heavy use or is more than a year old may not give the same run-time performance as a new battery pack.
6. New lithium-ion batteries, unused for a period of time, may not accept a full charge. This is normal and does not indicate a problem with the battery or charger. The battery will accept a full charge after several cycles of clipper use and recharging.
7. Disconnect the adapter cord from the AC outlet if extended periods of non-use are anticipated.

BATTERY DISPOSAL

The product you have purchased contains a rechargeable battery. The battery is recyclable. At the end of its useful life, under various state and local laws, it may be illegal to dispose of this battery into the municipal waste stream. Check with your local solid waste officials for details in your area for recycling options or proper disposal.

FACTORY REPAIR SERVICE

When the blades of your Andis clipper become dull after repeated use, it is advised to purchase a new set of blades available through your Andis supplier or through an Andis Authorized Service Station. If you wish your clipper to be serviced as well, it should be carefully packed and mailed either Parcel Post Insured, or U.P.S. to any Andis Authorized Service Station. To find an Andis Authorized Service Station near you log on to www.andis.com or contact our customer service department: **1-800-558-9441 (U.S.) or 1-800-335-4093 (Canada).**

Sírvase leer las instrucciones siguientes antes de usar su nueva recortadora Andis. Bríndele el cuidado que un instrumento fino construido con precisión se merece y obtendrá muchos años de servicio.

PRECAUCIONES IMPORTANTES

Al usar un artefacto eléctrico, siempre deben seguirse ciertas precauciones básicas, que incluyen la siguiente:

Lea todas las instrucciones antes de usar la recortadora Andis.

PELIGRO: Para reducir el riesgo de descarga eléctrica:

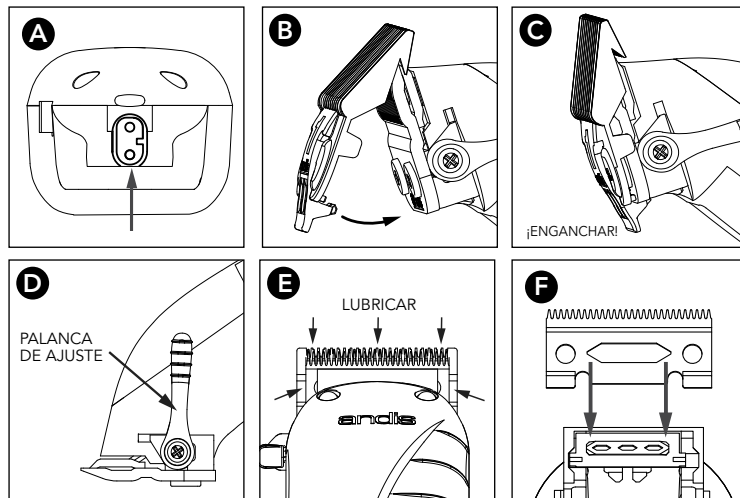
1. Si un artefacto se ha caído al agua, no trate de sacarlo. Desenchúfelo inmediatamente.
2. No lo utilice al bañarse en una bañera o bajo la regadera.
3. No coloque ni almacene el artefacto donde pueda caerse en una bañera o un lavabo, o ser halado dentro de éstos. No la coloque ni la deje caer en agua u otro líquido.
4. Excepto mientras se carga, siempre desenchufe este artefacto después de usarlo.
5. Desenchufe este artefacto antes de limpiar, desmontar o montar las piezas.

ADVERTENCIA: Para reducir el riesgo de quemaduras, incendio, descarga eléctrica o lesiones a las personas:

1. Un artefacto nunca debe dejarse desatendido mientras está enchufado.
2. Este artefacto eléctrico no debe ser usado por personas (incluyendo niños) con limitada capacidad física, sensorial o mental, o que no tengan experiencia o conocimientos, a menos que alguna persona responsable de su seguridad los supervise o les haya dado instrucciones con respecto al uso del aparato.

3. Es necesario supervisar a los niños para asegurarse de que no jueguen con el aparato eléctrico.
4. Utilice este artefacto exclusivamente para su uso propuesto, tal como se describe en este manual. No utilice accesorios no recomendados por Andis.
5. Nunca opere este artefacto si su cable eléctrico o enchufe está dañado, si no está funcionando correctamente o si se ha dejado caer, si se ha dañado o si se ha caído en el agua. Devuelva el artefacto a un centro de servicio autorizado de Andis para su revisión y reparación.
6. Mantenga el cable lejos de superficies calientes.
7. Nunca deje caer el artefacto ni inserte ningún objeto en ninguna de sus aberturas.
8. No lo utilice al aire libre, ni lo opere donde se estén usando productos en aerosol (nebulizados) o donde se esté administrando oxígeno.
9. No utilice este artefacto con una hoja o peine dañado o roto, ya que se podrían ocasionar lesiones en la piel.
10. Siempre conecte primero el enchufe al artefacto, luego al tomacorriente.
11. Desenchufe el cargador antes de enchufar o desenchufar el artefacto.
12. Para desconectar, coloque el control en la posición "off" y luego desconecte el enchufe del tomacorriente.
13. Enchufe el cable adaptador directamente a un tomacorriente de CA. No utilice un cable de extensión.
14. El uso de un cable adaptador o enchufe no vendidos por Andis puede implicar riesgo de incendio, descarga eléctrica o lesiones personales.
15. No desmonte el cable adaptador ni los enchufes. El montaje incorrecto puede causar descargas eléctricas o incendios. Si es necesario realizar tareas de reparación, envíe o lleve el artefacto a un centro de servicio técnico autorizado de Andis.
16. **ADVERTENCIA:** Para los propósitos de volver a cargar la batería, utilice únicamente el adaptador de CA provisto con este artefacto.

17. Las baterías de esta recortadora han sido diseñadas para proporcionar una vida útil máxima sin problemas. Sin embargo, como sucede con todas las baterías, con el tiempo se agotan. No intente reemplazar la batería. Cuando sea necesario realizar tareas de reparación o reemplazo, envíe o lleve el aparato a un centro de servicio técnico autorizado de Andis.
18. Cuando las baterías no se eliminan correctamente, pueden producir efectos nocivos en el medio ambiente. Muchas comunidades cuentan con sistemas de recogida y reciclado de baterías. Póngase en contacto con las autoridades locales para recibir información sobre cómo proceder con la eliminación de estos residuos en su zona.
19. **ADVERTENCIA: No tocar nunca los terminales del artefacto con objetos metálicos ni partes del cuerpo, ya que puede provocar un cortocircuito. Mantener fuera del alcance de los niños. El incumplimiento de estas advertencias, puede causar incendios o lesiones graves.**
20. **ADVERTENCIA: Riesgo de incendio, explosión o quemaduras. No aplastar ni desmontar el artefacto, ni tampoco calentarlo a temperaturas mayores que 100 °C (212 °F), ni incinerarlo.**
21. **ADVERTENCIA: Durante el uso, no coloque ni deje el artefacto donde (1) pueda ser dañado por un animal o (2) pueda quedar expuesto a la intemperie.**



GUÍA PARA EL CORTE

Descripción	Dirección del corte	Longitud aproximada del corte	
		Más corto	Menos corto
Hoja Andis estándar	En la dirección del pelo	1.6 mm	4.8 mm
	A contrapelo	0.8 mm	3.2 mm
Peine accesorio de 1/8 de pulgada	En la dirección del pelo	6.4 mm	9.5 mm
	A contrapelo	3.2 mm	6.4 mm
Peine accesorio de 1/4 de pulgada	En la dirección del pelo	9.5 mm	12.7 mm
	A contrapelo	6.4 mm	9.5 mm
Peine accesorio de 3/8 de pulgada	En la dirección del pelo	12.7 mm	15.9 mm
	A contrapelo	9.5 mm	12.7 mm
Peine accesorio de 1/2 de pulgada	En la dirección del pelo	15.9 mm	22.2 mm
	A contrapelo	12.7 mm	15.9 mm
Peine accesorio de 3/4 de pulgada	En la dirección del pelo	22.2 mm	28.6 mm
	A contrapelo	19.0 mm	25.4 mm
Peine accesorio de 1 de pulgada	En la dirección del pelo	28.6 mm	34.9 mm
	A contrapelo	25.4 mm	31.8 mm

GUARDE ESTAS INSTRUCCIONES

ESTE ARTEFACTO ESTÁ CONCEBIDO EXCLUSIVAMENTE PARA PROPÓSITO DE REALIZAR RECORTES DE ACABADO

ESTE PRODUCTO HA SIDO DISEÑADO PARA USO PROFESIONAL

INSTRUCCIONES DE OPERACIÓN

- El usuario no debe cambiar la batería.
- Se debe quitar la batería antes de desechar el artefacto.
- El artefacto debe desconectarse de la fuente eléctrica antes de quitarle la batería.
- La batería se debe desechar de manera segura.

CARGA DE LA RECORTADORA

El adaptador de CA está diseñado para ser usado junto con la batería de iones de litio modelo LCL de Andis con una capacidad nominal de 4.5 V ---1.2 Wh. Saque la recortadora y el adaptador de CA de la caja. Enchufe el adaptador de CA en un tomacorriente de CA de 100-120 V, de 50/60 ciclos, o según se indique en la unidad. Enchufe el cable adaptador directamente al receptáculo de la parte inferior de la recortadora (Figura A). Para que la batería pueda cargarse, el interruptor de encendido y apagado de la recortadora debe estar en la posición OFF (de apagado). Se encenderá la luz verde de la recortadora cuando el dispositivo se esté cargando. La luz verde se apagará cuando la recortadora esté completamente cargada.

La recortadora no ha sido cargada en la fábrica. Cargue la recortadora durante 3-5 horas antes del PRIMER uso, a fin de lograr un rendimiento máximo. Cuando la batería esté completamente cargada, la recortadora podrá utilizarse durante un máximo de 90 minutos de tiempo de funcionamiento ininterrumpido. Antes del primero uso, la recortadora quedará completamente cargada en 2 horas como mínimo.

SI NO SE CARGA

1. Asegúrese de que haya tensión eléctrica en el tomacorriente de pared (confirme esto usando un artefacto que sepa que está funcionando correctamente).
2. Asegúrese de que el interruptor de encendido/apagado de la recortadora de acabado esté en la posición OFF (de apagado).
3. Compruebe que el cable adaptador esté firmemente enchufado en la recortadora.
4. Si aún no logra cargarse, devuelva la maquinilla de cortar el pelo a Andis o a un centro de servicio autorizado de Andis para su verificación y reparación o reemplazo.

OPERACIÓN CON CABLE

Si la recortadora se apaga durante un trabajo de recorte, es posible conectar el cable adaptador para seguir usándolo bajo una operación con cable. Cuando la recortadora está en funcionamiento con el cable adaptador conectado, la luz verde permanecerá encendida, incluso si la batería no está completamente cargada. La recortadora no se cargará al estar **en uso** con el cable conectado. Después de utilizar su recortadora Andis, vuelva a enrollar el cable y guárdela en un lugar seguro.

USO DE LOS PEINES ACCESORIOS

(Algunos modelos no tienen peines y los tamaños varían según el modelo)

Puede ajustar las hojas para un corte más largo utilizando cualquiera de los peines accesorios fabricados para su recortadora Andis. Los peines se montan con facilidad; simplemente deslice los dientes de la hoja de la recortadora en el peine y enganche el peine, presionándolo hacia abajo. Para desmontarlos, simplemente desengánchelos (Figuras B y C). Estos peines accesorios guían el pelo al interior de las hojas y le proporcionan un control preciso de las longitudes del pelo. La longitud del corte se indica en el peine accesorio. Utilice la tabla para encontrar las longitudes aproximadas de corte. Al variar el ángulo de la hoja en relación con la piel, el grosor y la textura del pelo, variará la longitud del corte.

AJUSTE DE LAS HOJAS DE LA RECORTADORA

Las hojas de la recortadora Andis se ajustan fácilmente. Ya sea para realizar un corte grueso o fino, simplemente mueva la palanca de ajuste con el dedo pulgar. En la posición vertical, las hojas quedan ajustadas para realizar los cortes más finos y cortos (Figura D).

MANTENIMIENTO

El mecanismo interno de su recortadora ha sido lubricado en forma permanente en la fábrica. Además del mantenimiento recomendado que se describe en este manual, sólo la compañía Andis o una estación de servicio autorizada por Andis puede llevar a cabo cualquier otro trabajo de mantenimiento en la unidad.

TEMPERATURA DE LA HOJA

Debido a la naturaleza de alta velocidad de las recortadoras de Andis, verifique el calor de la hoja con frecuencia, especialmente en el caso de hojas de corte al ras. Si las hojas están demasiado calientes, remoje **las hojas únicamente** en Andis Blade Care Plus o aplique Andis Cool Care Plus y luego el aceite Andis para recortadoras. Si tiene una unidad con hoja desmontable, puede cambiar la hoja para mantener una temperatura confortable; utilizar varias hojas del mismo tamaño es un método popular entre los profesionales que acicalan.

CUIDADOS Y SERVICIO DE LAS HOJAS ANDIS

Debe lubricar las hojas antes, **durante** y después de cada uso. Si las hojas de su recortadora dejan líneas o reducen su velocidad, significa que requieren de lubricación. Ponga unas pocas cuantas gotas de aceite para recortadoras marca Andis en la parte frontal y lateral de las hojas (Figura E). Limpie el exceso de aceite de las hojas con una tela seca y suave. Los lubricantes en aerosol no contienen suficiente aceite para lubricar correctamente, pero son excelentes para enfriar la recortadora. Siempre reemplace hojas rotas o melladas para evitar lesiones. Puede limpiar el exceso de pelo de las hojas con un cepillo pequeño o un cepillo de dientes viejo. Para limpiar las hojas le sugerimos sumergir **sólo las hojas** en un poco de Andis Blade Care Plus, mientras la recortadora esté funcionando. Así debe poder eliminar cualquier exceso de pelo o de polvo que se haya acumulado entre las hojas. Después de limpiar las hojas, apague la recortadora y seque las hojas con una tela seca.

DESMONTAJE Y REEMPLAZO DEL JUEGO DE HOJAS

Para desmontar las hojas, primero desenchufe la recortadora del tomacorriente eléctrico. Coloque la recortadora boca abajo, de modo que los dientes de las hojas estén orientados hacia abajo. Tal vez prefiera colocar la recortadora sobre una superficie plana para hacer esto. Destornille los tornillos de las hojas. Desmonte las hojas.

Para reemplazar las hojas, coloque la hoja superior más pequeña nuevamente en posición (Figura F). Alinee los orificios de los tornillos en la hoja inferior con los dos orificios en el soporte de la hoja, y vuelva a colocar los tornillos. No apriete los tornillos completamente. Voltee la recortadora y alinee la hoja inferior de modo que los dientes en ambas hojas queden paralelos, pero con los dientes de la hoja inferior ligeramente por arriba de los dientes de la hoja superior. Si no hace esto, puede pellizcar la piel al cortar el pelo.

LINEAMIENTOS DE USO PARA BATERÍAS DE IONES DE LITIO

1. La batería de iones de litio que se incluye en su recortadora no desarrolla un "efecto de memoria" como las baterías de hidruro metálico y níquel (NiMH) o las baterías de níquel y cadmio (NiCd). Puede enchufar el cable adaptador en la recortadora en cualquier momento para obtener una carga completa o incluso usar la batería antes de que se complete el ciclo de carga. Al igual que la mayoría de las baterías recargables, las baterías de iones de litio tienen un mejor rendimiento cuando se usan con frecuencia.
2. Para una máxima vida útil de la batería, almacene la recortadora en una condición parcialmente descargada si la unidad no se usará por varios meses.
3. No almacene la recortadora a menos de 10 °C (50 °F) o a más de 40 °C (104 °F). No exponga la recortadora a condiciones de humedad excesiva.
4. No coloque la recortadora cerca de rendijas de calefacción, radiadores ni en presencia de luz solar directa. Se obtendrán resultados óptimos de carga donde la temperatura sea estable. Los aumentos repentinos en la temperatura pueden causar que la batería reciba una carga menor a la completa.
5. Hay muchos factores que influyen en la vida útil de una batería de iones de litio. Una batería que se haya usado intensamente o tenga más de un año de uso podría no dar el mismo rendimiento en cuanto al tiempo de funcionamiento que un paquete de baterías nuevo.
6. Las baterías de iones de litio nuevas, que no se usen por un cierto período de tiempo, tal vez no acepten una carga completa. Esto es normal y no indica un problema con la batería o el cargador. La batería aceptará una carga completa después de varios ciclos de uso y recarga de la recortadora.
7. Desconecte el cable adaptador del tomacorriente de CA si se anticipan períodos largos sin uso.

DESECHO DE LA BATERÍA

El producto que ha comprado contiene una batería recargable. La batería es reciclable. Al final de su vida útil, las leyes locales y estatales pueden prohibir la eliminación de la batería con el resto de los desechos municipales. Consulte con los funcionarios locales de residuos sólidos para conocer detalles sobre opciones de reciclaje en su localidad o un desecho correcto.

SERVICIO DE REPARACIÓN EN FÁBRICA

Cuando las hojas de su recortadora Andis pierdan el filo después de un uso repetido, se aconseja comprar un conjunto nuevo de hojas, disponible por medio de su proveedor Andis o por medio de un centro de servicio autorizado de Andis. Si también desea dar servicio a su recortadora, debe empacarla con cuidado y enviarla por correo asegurado o U.P.S. a cualquier centro de servicio autorizado de Andis. Para encontrar un centro de servicio autorizado de Andis cercano a su localidad, visite www.andis.com o póngase en contacto con nuestro departamento de servicio al cliente: **1-800-558-944 (EE.UU.)** o **1-800-335-4093 (Canadá)**.

Lire le mode d'emploi en entier avant d'utiliser la tondeuse Andis. Si cet appareil est traité comme un instrument de précision, il devrait donner des années de bons services.

MISES EN GARDE IMPORTANTES

Pendant l'utilisation d'un appareil électrique, il faut toujours suivre certaines règles de sécurité, notamment les suivantes. **Lire toutes les instructions avant d'utiliser cette tondeuse de finition Andis.**

DANGER : Pour réduire le risque d'électrocution :

1. Ne pas tenter de récupérer un appareil électrique qui est tombé dans l'eau. Le débrancher immédiatement.
2. Ne pas utiliser cet appareil dans le bain ou sous la douche.
3. Ne pas déposer ni ranger l'appareil à un endroit d'où il pourrait tomber dans une baignoire ou un lavabo. Ne pas mettre l'appareil dans l'eau ou dans un autre liquide.
4. Toujours débrancher l'appareil de la prise murale immédiatement après l'utilisation.
5. Débrancher l'appareil avant de le nettoyer, de le déplacer ou d'installer une pièce.

AVERTISSEMENT : Pour réduire les risques de brûlure, d'incendie, d'électrocution et de blessure :

1. Ne jamais laisser un appareil branché sans surveillance.
2. Cet appareil ne doit être utilisé par les personnes (en particulier les enfants) aux capacités physiques, sensorielles ou mentales réduites, ou dépourvues de l'expérience et des connaissances voulues, que sous la supervision ou la direction d'une personne responsable de leur sécurité.

3. Empêcher les enfants de jouer avec l'appareil.
4. Utiliser cet appareil seulement pour l'usage prévu décrit dans ce manuel. Utiliser uniquement les accessoires recommandés par Andis.
5. Ne jamais utiliser l'appareil si son cordon ou sa fiche de branchement est endommagé, s'il ne fonctionne pas correctement, s'il est tombé par terre, s'il est endommagé ou s'il est tombé dans l'eau. Le retourner à un centre de réparation agréé par Andis pour examen et réparation.
6. Garder le cordon à l'écart des surfaces chaudes.
7. Ne jamais insérer un objet quelconque dans une ouverture de l'appareil.
8. Ne pas utiliser l'appareil à l'extérieur, dans un endroit où des aérosols sont employés ou encore dans un endroit où l'on administre de l'oxygène.
9. Pour éviter les blessures, ne pas utiliser des lames ou des guides de coupe cassés ou endommagés; cela pourrait abîmer la peau.
10. Toujours insérer la fiche dans l'appareil en premier, puis dans la prise secteur.
11. Débrancher le chargeur avant de brancher ou de débrancher l'appareil.
12. Pour débrancher l'appareil, mettre la commande sur arrêt, puis retirer la fiche de la prise secteur.
13. Brancher le cordon de l'adaptateur directement sur une prise secteur. Ne pas utiliser de rallonge électrique.
14. L'utilisation d'un cordon adaptateur ou d'une fiche non vendus par Andis pourrait entraîner un risque d'incendie, de choc électrique ou de blessure corporelle.
15. Ne pas démonter le matériel électrique. Un remontage incorrect risque de provoquer une électrocution ou un incendie. Si une réparation est requise, envoyer ou apporter l'appareil à un centre de réparation agréé par Andis.

16. **AVERTISSEMENT** : Lors de la recharge de la batterie, utiliser uniquement l'adaptateur secteur fourni avec cet appareil.
17. La batterie de cette tondeuse a été conçue pour une longévité maximum. Toutefois, comme toutes les batteries, celle-ci finira par s'user. Ne pas essayer de remplacer la batterie. Si une réparation ou un remplacement est requis(e), envoyer ou apporter l'appareil à un centre de réparation agréé par Andis.
18. Les batteries peuvent être nocives pour l'environnement en cas de mise au rebut incorrecte. De nombreuses localités proposent des services de recyclage ou de récupération des batteries. Pour en savoir plus sur les pratiques dans votre région, contacter les autorités locales.
19. **AVERTISSEMENT** : Ne jamais toucher les deux bornes de la tondeuse avec des objets métalliques et/ou des parties du corps; cela pourrait déclencher un court-circuit. Garder à l'écart des enfants. Le non-respect de ces avertissements pourrait déclencher un incendie ou faire encourir des blessures graves.
20. **AVERTISSEMENT** : risque d'incendie, d'explosion ou de brûlures. Ne pas écraser, démonter, exposer à une température supérieure à 100 °C (212 °F) ou jeter au feu.
21. **AVERTISSEMENT** : Pendant l'utilisation, ne pas mettre l'appareil à un endroit où il risque d'être (1) endommagé par un animal ou (2) exposé aux intempéries.

GARDEZ PRÉCIEUSEMENT CES DIRECTIVES

CET APPAREIL EST UNIQUEMENT DESTINÉ À LA TONTE DE FINITION

APPAREIL À USAGE PROFESSIONNEL

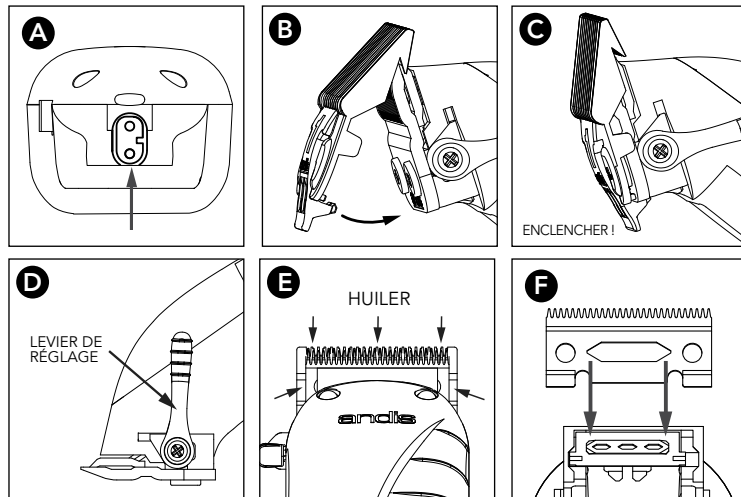


TABLEAU DE COUPE

Description	Directives de coupe	Longueur approx. de la coupe	
		Courte	Longue
Lame standard Andis	Sens du poil	1/16 po	3/16 po
	Sens inverse du poil	1/32 po	1/8" po
Guide de 1/8 po	Sens du poil	1/4 po	3/8 po
	Sens inverse du poil	1/8 po	1/4 po
Guide de 1/4 po	Sens du poil	3/8 po	1/2 po
	Sens inverse du poil	1/4 po	3/8 po
Guide de 3/8 po	Sens du poil	1/2 po	5/8 po
	Sens inverse du poil	3/8 po	1/2 po
Guide de 1/2 po	Sens du poil	5/8 po	7/8 po
	Sens inverse du poil	1/2 po	5/8 po
Guide de 3/4 po	Sens du poil	7/8 po	1-1/8 po
	Sens inverse du poil	3/4 po	1 po
Guide de 1 po	Sens du poil	1-1/8 po	1-3/8 po
	Sens inverse du poil	1 po	1-1/4 po

DIRECTIVES D'UTILISATION

- La batterie ne doit pas être remplacée par l'utilisateur.
- La batterie doit être retirée de l'appareil avant son élimination.
- L'appareil doit être débranché de la source d'alimentation avant le retrait de la batterie.
- On doit éliminer la batterie de manière sécuritaire.

RECHARGE DE LA TONDEUSE

L'adaptateur secteur est destiné à l'utilisation avec la batterie lithium-ion LCL d'Andis, d'une capacité nominale de 4,5 V=1,2 Wh. Retirez la tondeuse et l'adaptateur secteur de la boîte. Branchez l'adaptateur secteur sur une prise secteur 100-120 V, 50-60 Hz (ou selon les consignes fournies). Branchez le cordon de l'adaptateur directement sur la prise au bas de la tondeuse (Figure A). Pour que la batterie se charge, l'interrupteur de marche/arrêt de la tondeuse doit être en position Arrêt. Le voyant vert de la tondeuse s'allume lorsque celle-ci se recharge. Le voyant vert s'éteint une fois la batterie chargée à fond.

La tondeuse n'a pas été chargée à l'usine. Pour un rendement maximal, chargez-la pendant 3 à 5 heures avant la PREMIÈRE utilisation. Une fois la batterie entièrement rechargée, la tondeuse peut être utilisée de façon continue jusqu'à 90 minutes. Après la première utilisation, la tondeuse se rechargera entièrement au bout d'une période d'au moins 2 heures.

EN CAS D'ÉCHEC DE LA RECHARGE

1. Vérifier si la prise secteur est alimentée (en branchant dessus un appareil qui fonctionne).
2. S'assurer que l'interrupteur de marche/arrêt de la tondeuse est en position Arrêt.
3. Assurez-vous que le cordon de l'adaptateur est bien branché sur la tondeuse.
4. Si la tondeuse ne se recharge toujours pas, l'envoyer à Andis ou à un centre de service agréé par Andis pour examen et réparation ou remplacement.

FONCTIONNEMENT AVEC FIL

Si la tondeuse se met hors tension au milieu d'une coupe, le cordon adaptateur peut être branché pour permettre la reprise du travail. Lorsque la tondeuse fonctionne avec le cordon adaptateur branché, le voyant vert reste allumé, même si la batterie est partiellement ou complètement déchargée. La tondeuse ne se rechargera pas **en cours d'utilisation** avec le cordon attaché. Après avoir utilisé la tondeuse Andis, enroulez le cordon et rangez en lieu sûr.

MODE D'EMPLOI DES GUIDES DE COUPE

(Certains modèles n'ont pas de guides de coupe et les tailles varient selon l'ensemble)

Vous pouvez régler les lames pour une coupe plus grossière en attachant l'un des guides de coupe encliquetables conçus pour votre tondeuse. Les guides de coupe se montent facilement—ils s'attachent et se détachent par enclenchement (Figures B

et C). Ces guides de coupe guident les cheveux dans les lames de la tondeuse et vous permettent de maîtriser parfaitement les longueurs de cheveux. La longueur de coupe est indiquée sur le guide de coupe. Pour les longueurs de coupe approximatives, consulter le guide de coupe.

RÉGLAGE DES LAMES DE LA TONDEUSE

Le réglage des lames de la tondeuse Andis est un jeu d'enfants! Il suffit d'appuyer sur la manette de réglage pour changer la longueur de la coupe. Pour obtenir une coupe courte, placez la tondeuse verticalement (Figure D).

ENTRETIEN DE LA TONDEUSE

Le mécanisme interne de la tondeuse a été traité à l'usine pour une lubrification permanente. Sauf pour les mesures d'entretien décrites dans ce mode d'emploi, tout entretien doit être confié à Andis ou à un centre de réparation agréé par Andis.

TEMPÉRATURE DE LA LAME

Étant donné la grande vitesse des tondeuses Andis, contrôlez souvent la chaleur, surtout sur les lames qui coupent de près. Si les lames sont trop chaudes, trempez **uniquement les lames** dans de l'Andis Blade Care Plus ou appliquez de l'Andis Cool Care Plus, puis de l'huile pour tondeuse Andis. Si vous avez une lame détachable, changez de lame pour maintenir une température confortable; l'utilisation de lames multiples de même taille est populaire auprès des spécialistes du toilettage.

ENTRETIEN ET RÉPARATION DES LAMES À TONDEUSE ANDIS

Vous devriez huiler les lames avant, **pendant** et après chaque utilisation. Si les lames laissent des traces ou cessent de fonctionner adéquatement, vous devez les huiler. Mettez quelques gouttes d'huile à tondeuse Andis sur le devant et le côté des lames (Figure E). Enlevez l'excès d'huile sur les lames à l'aide d'un chiffon sec et doux. Les lubrifiants en aérosol ne contiennent pas assez d'huile pour bien lubrifier les lames. Remplacez toujours les lames brisées ou ébréchées afin de prévenir les blessures. Vous pouvez enlever l'excès de cheveux sur vos lames à l'aide d'une petite brosse ou d'une vieille brosse à dents. Pour nettoyer les lames, nous suggérons de les immerger (**lames seulement**) dans une cuvette peu profonde remplie Andis Blade Care Plus pendant que la tondeuse est en marche. Toute poussière et tout cheveu accumulés entre les lames devraient s'enlever. Après le nettoyage, mettez votre tondeuse à la position « arrêt » et séchez les lames à l'aide d'un chiffon sec. Vous pouvez ensuite recommencer à tondre. Avant de ranger la tondeuse, étendez une ou deux gouttes d'huile sur les lames afin de prévenir la rouille.

REPLACEMENT OU CHANGEMENT DES LAMES

Pour enlever les lames, débrancher d'abord la tondeuse de la prise électrique. Retourner la tondeuse de façon à ce que les dents des lames pointent vers le bas. Pour cette opération, il est préférable de déposer la tondeuse sur une surface plane. Dévisser les vis qui retiennent les lames. Retirer les lames.

Pour remettre les lames, mettre tout d'abord la petite lame supérieure en position (Figure F). Aligner les trous de vis de la lame inférieure sur ceux du support de lame, puis remettre les vis. Ne pas serrer les vis à fond. Retourner la tondeuse et aligner la lame inférieure de sorte que les dents des deux lames soient parallèles - les dents de la lame inférieure étant légèrement plus hautes que celles de la lame supérieure. Si les lames ne sont pas correctement positionnées, la tondeuse risque de pincer la peau pendant la coupe des cheveux.

CONSIGNES D'UTILISATION DES BATTERIES LITHIUM-ION

1. La batterie lithium-ion fournie avec la tondeuse ne développe pas « d'effet de mémoire » comme les piles au nickel-métal-hydrure (NiMH), ou au nickel-cadmium (NiCd). Vous pouvez brancher le cordon d'adaptateur sur la tondeuse en tout temps pour une charge complète ou même utiliser la batterie avant la fin d'un cycle de recharge. Comme la plupart des batteries rechargeables, les piles lithium-ion donnent les meilleurs résultats quand elles sont utilisées fréquemment.
2. Pour maximiser la durée de vie de la batterie, stocker la tondeuse à l'état partiellement déchargé si l'appareil ne doit pas être utilisé pendant plusieurs mois.
3. Ne pas entreposer la tondeuse à une température inférieure à 10 °C (50 °F) ou supérieure à 40 °C (104 °F). Ne pas exposer la tondeuse à une humidité excessive.
4. Éviter de placer la tondeuse près de bouches de chauffage, de radiateurs ou à la lumière directe du soleil. Une recharge optimale s'obtient à température stable. Les hausses subites de température risquent d'empêcher la recharge à fond de la batterie.
5. De nombreux facteurs influent sur la durée de vie des batteries lithium-ion. Il est possible qu'une batterie qui a été très utilisée et a plus de un an ne donne pas le même niveau de performance de fonctionnement qu'une batterie neuve.
6. Les batteries lithium-ion inutilisées pendant un certain temps risquent de ne pas accepter de charge complète. Cela est normal et n'indique pas un problème au niveau de la batterie ou du chargeur. La batterie acceptera une pleine charge après plusieurs cycles d'utilisation et de recharge de la tondeuse.
7. Débrancher le cordon adaptateur de la prise secteur si de longues périodes d'inutilisation sont prévues.

MISE AU REBUT DE LA BATTERIE

Ce produit contient une pile rechargeable qui est recyclable à la fin de sa durée utile. Mettre la batterie au rebut de la façon appropriée. Renseignez-vous sur les options de recyclage à votre disposition ou de mise au rebut adéquate auprès des responsables locaux des déchets solides.

SERVICE DE RÉPARATION EN USINE

Dès que les lames de votre tondeuses s'émousent suite à une utilisation répétée, nous vous recommandons d'acheter un nouveau jeu de lames chez un fournisseur Andis ou dans un centre de SAV agréé par Andis. Pour faire réparer ou entretenir la tondeuse, emballez celui-ci soigneusement et envoyez-le par colis postal assuré ou par UPS dans un centre de réparation agréé par Andis. Pour le centre de SAV le plus proche, consulter le site www.andis.com ou contacter notre service clientèle au : 1-800-558-9444 (É.-U.) ou 1-800-335-4093 (Canada).

MANUFACTURER'S 12 MONTH LIMITED WARRANTY

This Andis product is warranted against defective material or workmanship for one year from the date of purchase. All implied warranties arising and by virtue of State law shall also be limited to one year. Any Andis product determined to be defective in material or workmanship during the warranty period will be repaired or replaced without cost to the consumer for parts and labor. The defective product must be returned via parcel post insured or U.P.S., with proof of purchase to any Andis Authorized Service Station or to Andis, 1800 Renaissance Blvd., Sturtevant, WI 53177 USA. In Canada, please call 1-800-335-4093 for repair information. Attach a letter describing the nature of the problem. Due to foreign matter sometimes found in hair, clipper blades or resharpening of blades are not subject to this warranty. Andis will not be responsible for cost of repairs or alterations made by any other person, agency or company, nor for incidental or consequential damages of any type, or for the use of unauthorized attachments. Some states may not allow exclusion of limitation of incidental or consequential damages, so the limitation or exclusion may not apply to you.

Date Purchased _____ Model _____

To find an Andis Authorized Service Station near you log on to www.andis.com or contact our customer service department: 1-800-558-9441 (U.S.) or 1-800-335-4093 (Canada)

GARANTÍA LIMITADA DEL FABRICANTE DE 12 MESES

Este producto Andis está garantizado contra material o mano de obra defectuosos durante un año a partir de la fecha de compra. Todas las garantías implícitas provenientes y en virtud de las leyes estatales también deberán ser limitadas a un año. Cualquier producto Andis determinado como defectuoso en cuanto a materiales o mano de obra durante el período de garantía será reemplazado o reparado sin costo para el consumidor en cuanto a piezas y mano de obra. El producto defectuoso debe ser devuelto junto con el comprobante de compra a cualquiera de las estaciones de servicio autorizado de Andis o a: Andis, 1800 Renaissance Blvd., Sturtevant, WI 53177 EEUU. En Canadá, llame al 1-800-335-4093 para obtener información sobre reparaciones. Adjunte también una carta explicando la naturaleza del problema. Debido al material extraño que a veces se encuentra en el pelo, la garantía no cubre las hojas ni su reafilado. Andis no será responsable por el costo de ninguna reparación realizada por otra persona, agencia o compañía, ni por daños incidentales o consecuentes de ningún tipo, ni por el uso de accesorios no autorizados. Algunos estados prohíben la exclusión de daños consecuentes o incidentales, de forma que dicha limitación o exclusión podría no aplicarse a su caso.

Fecha de compra _____ Modelo _____

Para encontrar una de las estaciones de servicio autorizado de Andis cerca de su localidad, inicie una sesión en www.andis.com o póngase en contacto con nuestro departamento de servicio al cliente: 1-800-558-9441 (EE.UU.) o 1-800-335-4093 (Canadá)

GARANTIE LIMITÉE DE 12 MOIS

Andis garantit cet appareil au premier acquéreur contre tout défaut de fabrication ou de matériau pour une durée de 12 mois à partir de la date d'achat. Toute autre garantie implicite en vertu d'une loi d'État se limite aussi à une durée de 12 mois. Tout produit Andis dont on détermine qu'il présente un défaut de fabrication ou de matériau durant la période de garantie sera réparé ou remplacé sans frais de main-d'œuvre et de pièces pour le client. L'appareil défectueux doit être retourné par colis postal assuré, accompagné de la preuve d'achat à n'importe quel centre de réparation agréé par Andis ou à Andis, 1800 Renaissance Blvd., Sturtevant, WI 53177 USA. Au Canada, veuillez appeler le 1-800-335-4093 en cas de réparation. Joignez une lettre décrivant la nature du problème. En raison des substances étrangères que peuvent contenir les cheveux, les lames et leur aiguisage ne sont pas couverts par la garantie. Andis ne pourra être tenu responsable des coûts des réparations ou des changements effectués par toute autre personne, agence ou entreprise, ou dommages accidentels ou indirects de tout genre, ou de l'utilisation d'accessoires non inclus avec l'appareil. Certaines provinces peuvent interdire les exclusions ou limitations à la présente garantie. Dans ces cas, les exclusions ou limitations ne s'appliquent pas.

Date d'achat _____ Modèle _____

Pour le centre de réparation agréé par Andis, consultez le site www.andis.com ou contactez notre service clientèle au : 1-800-558-9441 (É.-U.) ou 1-800-335-4093 (Canada)

ANDIS COMPANY

1800 Renaissance Blvd. Sturtevant, WI 53177 1-800-558-9441
Canada: 1-800-335-4092 info@andisco.com www.andis.com