



TS-3

USE & CARE INSTRUCTIONS



Item pictured may differ from actual product

El artículo ilustrado puede diferir del producto real

Il est possible que l'article sur la photo soit différent du produit réel

Please read the following instructions before using your new Andis appliance. Give it the care that a fine, precision built instrument deserves and it will give you years of service.

ORIGINAL INSTRUCTIONS

IMPORTANT SAFEGUARDS

When using an electrical appliance, basic precautions should always be followed, including the following: **Read all instructions before using the Andis appliance.**

DANGER:

To reduce the risk of electric shock:

1. Do not reach for an appliance that has fallen into water. Unplug immediately from receptacle.
2. Do not use while bathing or in a shower.
3. Do not place or store appliance where it can fall or be pulled into a tub or sink. Do not place in or drop into water or other liquid.
4. Except when charging, always unplug this appliance from the electrical outlet immediately after using.
5. Unplug this appliance before cleaning, removing or assembling parts.

WARNING:

To reduce the risk of burns, fire, electric shock, or injury to persons:

1. An appliance should never be left unattended when plugged in.
2. This appliance is not intended for use by persons (including children) with reduced physical, sensory or mental capabilities, or lack of experience and knowledge, unless they have been given supervision or instruction concerning use of the appliance by a person responsible for their safety.
3. Children should be supervised to ensure that they do not play with the appliance.
4. Close supervision is required when this appliance is used by, on, or near children, or persons with limited physical, sensory, or mental capabilities.
5. Use this appliance only for its intended use as described in this manual. Do not use attachments not recommended by Andis.
6. This appliance can be used by children aged from 8 years and above and persons with reduced physical, sensory or mental capabilities or lack of experience and knowledge if they have been given supervision or instruction concerning use of the appliance in a safe way and understand the hazards involved. Children shall not play with the appliance.
7. Cleaning and user maintenance shall not be made by children without supervision.
8. This appliance can be used by children aged from 3 years under supervision.

9. Never operate this appliance if it has a damaged cord or plug, when it is not working properly, if it has been dropped or damaged, or after it has been dropped into water. Return the appliance to an Andis authorized service center for examination and repair.
10. Keep the cord away from heated surfaces.
11. Never drop or insert any object into any opening.
12. Do not use outdoors or operate where aerosol (spray) products are being used or where oxygen is being administered.
13. Do not use this appliance with a damaged or broken blade or comb, as injury to the skin may occur.
14. Always attach plug to appliance first, then to outlet. To disconnect, turn control to OFF position (e.g. "0"), then remove plug from outlet.
15. Never touch both terminals on the appliance with metal objects and/or body parts, as short circuit may result. Keep away from children. Failure to comply with these warnings could result in fire or serious injury.
16. Use of a charger not sold by Andis may result in risk of fire, electric shock, or injury to person.
17. Keep the air openings free of lint, hair, and similar objects.
18. Keep the appliance dry.
19. Never operate this appliance with the air openings blocked or while on a soft surface, such as a bed or couch, where it is possible for the air openings to be blocked. Keep the air openings free of lint, hair, and similar objects.
20. Use of an adapter cord or plug not sold by Andis may result in risk of fire, electric shock, or injury to person.
21. Do not disassemble adapter cord or plugs. Incorrect reassembly may result in a risk of electric shock or fire. When repair is required, send or take it to an Andis authorized service center.
22. Unplug charger before plugging or unplugging appliance.
23. Plug charger directly into receptacle. Do not use an extension cord.
24. The appliance is intended for trimming purposes only.
25. Cutting blades may become hot after prolonged use.
26. During use, do not charge, place, or leave the appliance where it is expected to be subject to damage by an animal, or exposed to weather.
27. For the purpose of recharging the battery, only use the detachable supply unit provided with this appliance.
28. Use only with type _____ supply unit.
 Use only with a USB Power Source on a certified product, such as on a computer, receptacle, lamp, class 2 power supply or automotive adapter.

THIS APPLIANCE HAS A BATTERY

YES NO

29. The battery in this appliance is designed to provide maximum trouble-free life. However, like all batteries, it will eventually wear out. Do not attempt to replace the battery. When repair or replacement is required, send or take it to an Andis authorized service center.
30. The battery is to be disposed of safely.
31. Batteries can be harmful to the environment if disposed of improperly. Many communities offer recycling or battery collection. Contact your local government about disposal practices in your area for damaged or leaking batteries.
32. The battery must be removed from the appliance before it is scrapped.
33. The appliance must be disconnected from the supply mains when removing the battery.
34. Do not store the appliance under 10°C or over 40°C. Do not expose appliance or battery to excessively damp conditions, direct sunlight, or heat of any source.
35. Do not expose the appliance or battery to excessive temperatures.
36. Ambient temperature for charging the cell is 10°C-35°C.
37. Be aware of the risk of terminals of the battery-operated appliance or battery being short-circuited by metal objects.
38. This appliance contains batteries that are only replaceable by skilled persons.
 This appliance contains batteries that are non-replaceable. When the battery is at end of life, the appliance shall be properly disposed of.

SAVE THESE INSTRUCTIONS

THIS PRODUCT IS INTENDED FOR

HOUSEHOLD COMMERCIAL USE ONLY.



READ OPERATOR'S MANUAL

[symbol ISO 7000-0790 (2004-01)]



DETACHABLE POWER SUPPLY PART

[symbol IEC 60417-6181 (2016-01)]

USE GUIDELINES FOR LITHIUM-ION BATTERIES

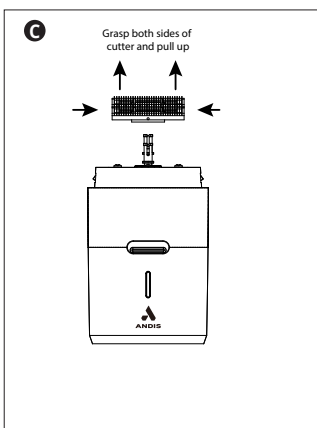
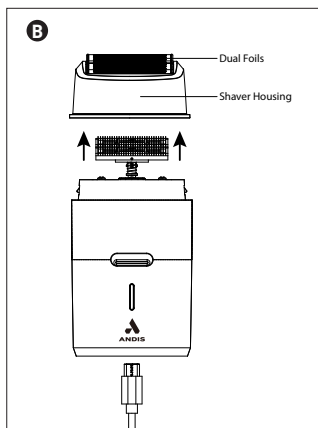
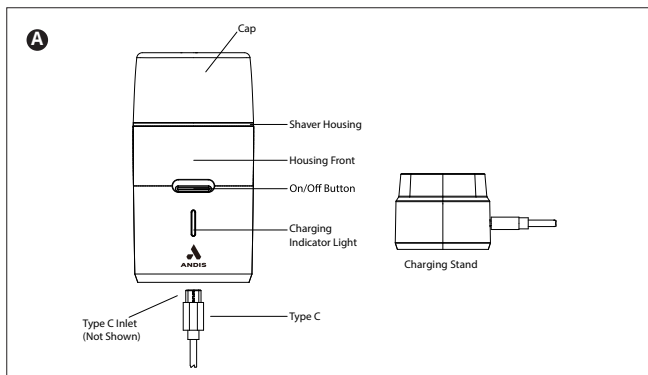
1. The lithium-ion battery included with your appliance does not develop a “memory effect” like a nickel-metal hydride (NiMH), or nickel cadmium (NiCd) battery. You can plug the adapter cord into the appliance at any time for a full charge, or even use the battery before a charge cycle is complete. Like most rechargeable batteries, lithium-ion batteries perform best when used frequently.
2. For maximum battery life, store the appliance in a partially discharged condition if the unit will be unused for several months.
3. Avoid locating the appliance near heat vents, radiators, or in direct sunlight. Optimum charging will result where the temperature is stable. Sudden increases in temperature can result in the battery receiving less than a full charge.
4. Many factors influence lithium-ion battery life. A battery that has received heavy use or is more than a year old may not give the same run-time performance as a new battery.
5. New lithium-ion batteries, unused for a period of time, may not accept a full charge. This is normal and does not indicate a problem with the battery or charger. The battery will accept a full charge after several cycles of appliance use and recharging.
6. Disconnect the adapter cord from the AC outlet if extended periods of non-use are anticipated.

BATTERY DISPOSAL

The product you have purchased contains a rechargeable battery. The battery is recyclable. At the end of its useful life, under various state and local laws, it may be illegal to dispose of this battery into the municipal waste stream. Check with your local solid waste officials for details in your area for recycling options or proper disposal.

BLADE & APPLIANCE REPAIR SERVICE

When the blades of your Andis appliance become dull after repeated use, it is advised to purchase a new set of blades available through your Andis supplier or through an Andis repair center. If you wish your appliance to be serviced as well, it should be carefully packed and mailed either Parcel Post Insured, or U.P.S. to any Andis repair center. **To find an Andis repair center near you log on to andis.com, contact our customer support team at 1-800-558-9441 or email us at info@andisco.com.**



INDICATOR LIGHT STATUS

Charging

0% - 99%	Pulsating White
100%	Solid White

Running

0% - 10% charged	Flashing Red
11% - 25% charged	Solid Red
26% - 100% charged	Solid White

CHARGING

This battery charger is intended for use with Andis model TS-3 lithium-ion battery with a rated capacity of 3.6V --- 2.8 Wh. Remove the shaver and AC adapter from the carton. Plug the adapter into a 100/240V AC outlet, or according to your local power standards. Note that the shaver ON/ OFF power switch must be in the OFF position for the battery to charge. Plug the cord adapter directly into the inlet on bottom of shaver (Figure A). The white charging indicator light on the shaver will turn on.

The shaver has not been charged at the factory. Please charge the shaver for 2 hours before the first use for maximum performance.

You can keep the shaver plugged into the adapter when not in use. The adapter will maintain the battery at full charge and the white charging indicator light will stay on. The adapter should be unplugged if the shaver won't be used for seven or more days.

FAILURE TO CHARGE

1. Make sure voltage is present at the wall outlet (confirm with an appliance you know is working).
2. Check to make sure adapter cord is plugged firmly into shaver. Twist the adapter connector slightly to insure good electrical connection. If failure to charge still exists, return shaver to Andis or an Andis Authorized Service Station for examination and repair or replacement.

USE WITH CORD ADAPTER

If the shaver powers OFF while in use, the power cord can be attached to continue use in corded operation (Figure A). When the shaver is running with the power cord attached, the white charging indicator light will remain on, even if the battery is partially or fully discharged. The shaver will not charge while in use with the cord attached.

After the product is fully charged, it will automatically enter the OFF mode. When in off mode, the power consumption is 0.13W.

The shaver has not been charged at the factory. Please charge the shaver for 2 hours before the first use for maximum performance.

FOR SHAVING

1. Keep the unit clean and dry at all times.
2. Remove the protection cap by grasping the sides and lifting up.
3. Check to make sure the outer foils and inner cutters are not damaged. Replace damaged parts before using. For more information on replacement parts, contact Andis or the nearest Andis Authorized Service Station.
4. Ensure that the battery is charged.
5. Wash and dry your skin thoroughly prior to shaving.
6. Slide the ON/OFF power switch up to the ON position.
7. Gently stretch the skin of your face with your free hand while moving the shaver slowly and smoothly against the grain of your beard. Using short, circular strokes will make the hairs stand out from your face and make shaving easier.
8. In order to achieve the closest shave and avoid unnecessary wear on the foils, be sure that both foils contact the skin simultaneously at all times.
9. To facilitate cutting and avoid foil wear, use minimal pressure to apply the shaver to your skin.
10. To maximize shaving comfort, be sure to clean the shaver thoroughly after use.

USER MAINTENANCE

If shaver is to remain unused for a long period of time, store in a safe, cool, dry place. Do not wrap cord tightly around shaver. Do not hang the shaver by the power cord. Other than the recommended maintenance described in this manual, no other maintenance should be performed, except by Andis Company or an Andis Authorized Service Station. **To contact Andis directly, please call our Customer Support Team at 1-800-558-9441 or email us at info@andisco.com.**

IMPORTANT: For best shaver performance and results, it is recommended that you replace your shaver's foil assembly and cutters every six months.

OPERATING INSTRUCTIONS

TO REPLACE FOIL ASSEMBLY

1. To remove the foil, grasp the foil assembly on both sides and gently lift it off the shaver (Figure B).
2. Position the replacement foil assembly over the cutters. Be careful not to damage the foils. Gently slide the foil assembly down until it snaps firmly into place.

TO REPLACE CUTTERS

NOTE: Always replace the foil assembly when replacing the cutters.

1. To remove a cutter, grasp it on both sides and pull up (Figure C).
2. To replace a cutter, hold it on both sides and line up the small metal shaft on its underside with the notch on the shaver drive and push down firmly until it snaps into place.
3. Replace foil assembly.

CLEANING

Regular cleaning is necessary in order to maintain the optimal performance and maximum comfort from your shaver. **Do NOT run shaver, foil assembly or cutters under water.** Use only the small brush (included) to clean.

DRY CLEANING WITH BRUSH

1. Remove the foil assembly by grasping the foil on both sides and gently lift it up off the shaver (Figure B).
2. Gently tap the base of the foil assembly on a flat surface so that the hairs inside fall out. Do not remove the individual foils or they may be damaged accidentally.
3. Lightly brush the hairs out from the cutters. You can remove them from the shaver if necessary (Figure C). Blow out any remaining loose hairs.
4. Replace the cutters and foil assembly.

MANUFACTURER'S 24 MONTH LIMITED WARRANTY

This Andis product is warranted against defective material or workmanship for 24 months from the date of purchase. All express and implied warranties arising out of and applicable to the product by virtue of State law shall also be limited to 24 months from the date of purchase. Any Andis product determined by Andis to be defective in material or workmanship during the warranty period will be repaired or replaced, at Andis' sole discretion, without cost to the consumer for parts and labor. To qualify for this limited warranty, the defective product must be returned via parcel post insured or U.P.S., with proof of purchase to Andis, 1800 Renaissance Blvd., Sturtevant, WI 53177 USA. Please include a letter describing the nature of the problem.

Due to foreign matter sometimes found in hair and for other reasons, clipper blades or the resharpening of blades are not subject to this limited warranty. Andis will not be responsible for the replacement, cost of repairs, or alterations made to its products by any other person, agency or company. Except as stated above, Andis does not provide and expressly disclaims any implied warranty of merchantability or fitness for a particular purpose, or any other warranty of any kind whatsoever. Under no circumstances will Andis be responsible for incidental or consequential damages of any type, or for any liability arising out of the use of unauthorized attachments. Some states may not allow exclusion or limitation of incidental or consequential damages, so this limitation or exclusion may not apply to you.

Date Purchased _____ Model _____

To find an Andis Authorized Service Station near you log on to andis.com or contact our customer service department: 1-800-558-9441

WARNING: NO WARRANTY IF PURCHASED FROM UNAUTHORIZED SELLERS OF ANDIS PRODUCTS

To ensure you are receiving an authentic, safe, quality product, you must purchase Andis products only through authorized sellers. Log on to andis.com or contact our customer service department at 1-800-558-9441 (U.S.) to review a list of our authorized sellers. These sellers are approved or certified by our company. If you do not purchase through one of these companies, we cannot assure the authenticity or condition of any Andis products, nor can we offer our warranty and related services for any products purchased from an unauthorized seller. Any such warranty is void and any warranty claim made for a product purchased from an unauthorized seller will be denied. Any sale or use by these unauthorized sellers of our products, and the marketing images, logos, trademarks and copyrighted material on our products, is also unauthorized.

Lea las instrucciones siguientes antes de usar su nuevo aparato Andis. Trate este instrumento de precisión con el cuidado que se merece y le brindará un excelente funcionamiento durante años.

INSTRUCCIONES ORIGINALES

PRECAUCIONES IMPORTANTES

Al utilizar un aparato eléctrico, siempre deben seguirse las precauciones básicas de seguridad, entre ellas: **Lea todas las instrucciones antes de usar el aparato Andis.**

PELIGRO:

Para reducir el riesgo de descarga eléctrica:

1. Si un aparato se cae al agua, no trate de sacarlo. Desenchúfelo inmediatamente.
2. No lo utilice al ducharse o al bañarse en una bañera.
3. No coloque ni almacene el aparato donde pueda caerse en una bañera o un lavabo, o tirarse dentro de estos. No lo coloque ni lo deje caer en agua u otro líquido.
4. Salvo cuando lo esté cargando, desenchufe siempre este aparato del tomacorriente inmediatamente después de usarlo.
5. Desenchufe este aparato antes de limpiar, desmontar o ensamblar las piezas.

ADVERTENCIA:

Para reducir el riesgo de quemaduras, incendio, descarga eléctrica o lesiones a las personas:

1. Un aparato nunca debe dejarse desatendido mientras está enchufado.
2. El uso de este aparato no está indicado para personas (incluidos niños) con capacidades físicas, sensoriales o mentales reducidas, o sin la experiencia y el conocimiento necesarios para manipularlo, a menos que una persona responsable de su seguridad los supervise o les enseñe a utilizar el aparato.
3. Es necesario supervisar a los niños para asegurarse de que no jueguen con el aparato.
4. Se requiere mantener una supervisión estricta siempre que este aparato sea utilizado por, en o cerca de niños o personas con discapacidades o con capacidades físicas, sensoriales o mentales limitadas.
5. Utilice este aparato exclusivamente para su uso previsto, tal como se describe en este manual. No utilice accesorios no recomendados por Andis.
6. Este aparato lo pueden utilizar niños a partir de 8 años de edad y personas con capacidades físicas, sensoriales o mentales reducidas, o con falta de experiencia y conocimientos, siempre que hayan recibido supervisión o instrucciones sobre el uso del aparato de manera segura y comprendan los peligros que conlleva. Los niños no deben jugar con el aparato.
7. La limpieza y el mantenimiento por parte del usuario no deberán ser realizados por niños sin la debida supervisión.

8. Este aparato puede ser utilizado por niños a partir de 3 años de edad si son supervisados.
9. No utilice nunca este aparato si el cable o el enchufe están dañados, si no funciona correctamente, si se ha caído o dañado, o si se ha sumergido en agua. Devuelva el aparato a un centro de servicio técnico autorizado de Andis para su revisión y reparación.
10. Mantenga el cable alejado de superficies calientes.
11. Nunca deje caer ni inserte ningún objeto en ninguna de sus aberturas.
12. No lo utilice al aire libre, ni donde se estén usando productos en aerosol (nebulizados) o donde se esté administrando oxígeno.
13. No utilice este aparato con una cuchilla o un peine dañado o roto, ya que se podrían ocasionar lesiones en la piel.
14. Conecte siempre primero el enchufe al aparato y luego al tomacorriente. Para desconectar, coloque el control en la posición de apagado (por ejemplo, "0") y, a continuación, desenchúfelo del tomacorriente.
15. No toque nunca ambos terminales del aparato con objetos metálicos ni partes del cuerpo, ya que puede provocar un cortocircuito. Mantenga fuera del alcance de los niños. Si no se respetan estas advertencias, puede ocasionarse un incendio o lesiones graves.
16. El uso de un cargador no comercializado por Andis puede ocasionar un riesgo de incendio, descarga eléctrica o lesiones a personas.
17. Mantenga las aberturas de ventilación libres de pelusa, pelo y objetos similares.
18. Mantenga el aparato seco.
19. No utilice nunca este aparato con las aberturas de aire bloqueadas o sobre una superficie blanda, como una cama o un sofá, donde las aberturas de aire podrían quedar bloqueadas. Mantenga las aberturas de ventilación libres de pelusa, pelo y objetos similares.
20. El uso de un cable adaptador o enchufe no comercializados por Andis puede implicar riesgo de incendio, descarga eléctrica o lesiones a personas.
21. No desmonte el cable adaptador ni los enchufes. Rearmarlos incorrectamente puede ocasionar descargas eléctricas o incendios. Si es necesario realizar tareas de reparación, envíe o lleve el aparato a un centro de servicio técnico autorizado de Andis.
22. Desenchufe el cargador antes de enchufar o desenchufar el aparato.
23. Enchufe el cargador directamente en el receptáculo. No utilice un cable de extensión.
24. El aparato está concebido exclusivamente con el propósito de realizar recortes de acabado.
25. Las cuchillas pueden calentarse después de un uso prolongado.
26. Durante el uso, no cargue, coloque ni deje el aparato donde pueda ser dañado por un animal o quedar expuesto a la intemperie.
27. Para recargar la batería, utilice únicamente la unidad de alimentación desmontable provista con este aparato.
28. Utilice este aparato solo con una unidad de alimentación del tipo _____.
- Utilice este aparato solo con una fuente de alimentación USB en un producto certificado, como en una computadora, un receptáculo, una lámpara, una fuente de alimentación de clase 2 o un adaptador para automóvil.

ESTE APARATO TIENE UNA BATERÍA

SÍ NO

29. La batería de este aparato se ha diseñado para proporcionar una máxima vida útil sin problemas. Sin embargo, como sucede con todas las baterías, con el tiempo se agotará. No intente reemplazar la batería. Cuando sea necesario realizar tareas de reparación o reemplazo, envíe o lleve el aparato a un centro de servicio técnico autorizado de Andis.
30. La batería se debe desechar de manera segura.
31. Las baterías pueden ser perjudiciales para el medio ambiente si se eliminan de manera inadecuada. Muchas comunidades cuentan con sistemas de recolección y reciclado de baterías. Póngase en contacto con las autoridades locales para recibir información sobre cómo proceder con la eliminación de baterías dañadas o con fugas en su zona.
32. Se debe sacar la batería del aparato antes de desecharlo.
33. El aparato debe desenchufarse del tomacorriente antes de quitar la batería.
34. No almacene el aparato a menos de 10 °C o a más de 40 °C. No exponga el aparato o la batería a condiciones de humedad excesiva, luz solar directa o calor de cualquier fuente.
35. No exponga el aparato ni la batería a temperaturas excesivas.
36. El rango de temperatura ambiente para cargar la batería es de 10 °C a 35 °C.
37. Tenga cuidado de que los terminales del aparato a batería o la batería no entren en contacto con objetos metálicos, ya que podría producirse un cortocircuito.
38. Este aparato contiene baterías que solo pueden ser reemplazadas por personas debidamente capacitadas.
- Este aparato contiene baterías que no son reemplazables. Cuando la batería esté al final de su vida útil, el aparato debe desecharse correctamente.

GUARDE ESTAS INSTRUCCIONES

ESTE PRODUCTO ESTÁ DISEÑADO SOLO PARA USO

DOMÉSTICO COMERCIAL



LEA EL MANUAL DEL OPERADOR

[símbolo ISO 7000-0790 (2004-01)]



PIEZA DE FUENTE DE ALIMENTACIÓN DESMONTABLE

[símbolo IEC 60417-6181 (2016-01)]

PAUTAS DE USO PARA BATERÍAS DE IONES DE LITIO

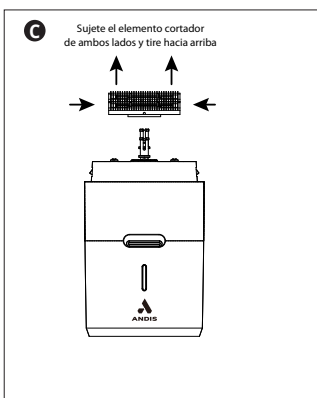
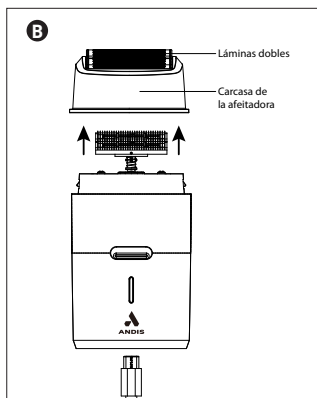
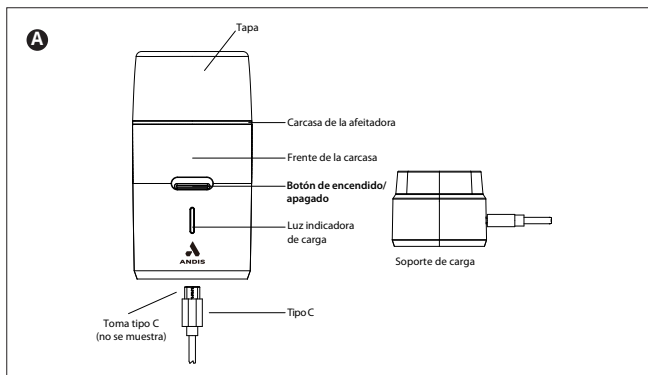
1. La batería de iones de litio que se incluye con su aparato no desarrolla un “efecto memoria” como las baterías de hidruro metálico y níquel (NiMH) o las baterías de níquel y cadmio (NiCd). Puede enchufar el cable del adaptador en el aparato en cualquier momento para obtener una carga completa o incluso usar la batería antes de que se complete el ciclo de carga. Al igual que la mayoría de las baterías recargables, las baterías de iones de litio tienen un mejor rendimiento cuando se usan con frecuencia.
2. Para una máxima vida útil de la batería, mantenga el aparato parcialmente cargado en caso de que no se vaya a usar durante varios meses.
3. No coloque el aparato cerca de rendijas de calefacción, radiadores ni bajo la luz solar directa. En condiciones de temperatura estable, la carga será óptima. Los aumentos repentinos de temperatura pueden causar que la batería no se cargue completamente.
4. Hay muchos factores que influyen en la vida útil de una batería de iones de litio. Es posible que una batería con demasiado uso o más de un año de uso no tenga el mismo rendimiento que una batería nueva.
5. Si las baterías de iones de litio nuevas no se usan durante un cierto tiempo, es posible que no se puedan cargar por completo. Esto es normal y no indica un problema con la batería ni el cargador. La batería aceptará una carga completa después de varios ciclos de uso y recarga del aparato.
6. Desconecte el cable del adaptador del tomacorriente de CA si se anticipan períodos largos sin uso.

ELIMINACIÓN DE LA BATERÍA

El producto que ha comprado contiene una batería recargable. La batería es reciclable. Al final de su vida útil, dependiendo de la legislación estatal y local, puede ser ilegal desecharla con el resto de los residuos municipales. Consulte con los responsables locales de residuos sólidos para informarse sobre opciones de reciclaje en su localidad o sobre cómo desechar el aparato correctamente.

SERVICIO DE REPARACIÓN DE LA CUCHILLA Y EL APARATO

Cuando las cuchillas de su aparato Andis pierdan el filo después de un uso repetido, se aconseja comprar un juego de cuchillas nuevas, disponible a través de su proveedor Andis o por medio de un centro de reparación de Andis. Si desea que su aparato también se repare, debe empaquetarlo con cuidado y enviarlo por correo asegurado o por U.P.S. a cualquier centro de reparación de Andis. **Para encontrar un centro de reparación de Andis cercano, visite andis.com, comuníquese con nuestro equipo de Atención al Cliente al cliente al 1-800-558-9441 o envíenos un correo electrónico a info@andisco.com.**



ESTADO DEL INDICADOR LUMINOSO

En proceso de carga

0 % - 99 %

Luz blanca intermitente

100 %

Luz blanca fija

En funcionamiento

Carga del 0 % - 10 %

Parpadea en color rojo

Carga del 11 % - 25 %

Luz roja fija

Carga del 26 % - 100 %

Luz blanca fija

CARGA

Este cargador de baterías está diseñado para ser usado con la batería de iones de litio modelo TS-3 de Andis con una capacidad nominal de 3.6V --- 2.8 Wh. Saque la afeitadora y el adaptador de CA de la caja. Enchufe el adaptador en un tomacorriente de 100/240 V CA, o el que corresponda según las normas eléctricas de su localidad. Observe que el interruptor de encendido y apagado de la afeitadora debe estar en la posición de apagado para que la batería pueda cargarse. Enchufe el cable del adaptador directamente a la toma ubicada en la parte inferior de la afeitadora (Figura A). Se encenderá la luz indicadora de carga de color blanco en la afeitadora.

La afeitadora no ha sido cargada en la fábrica. A fin de lograr un rendimiento máximo, cargue la afeitadora durante 2 horas antes del primer uso.

Puede mantener la afeitadora enchufada en el adaptador cuando no esté en uso. El adaptador mantendrá la batería a plena carga y la luz indicadora de carga de color blanco permanecerá encendida. El adaptador debe desenchufarse en caso de que no se use la afeitadora durante siete días o más.

SI NO CARGA

1. Asegúrese de que haya tensión eléctrica en el tomacorriente de pared (confirme esto usando un aparato que sepa que funciona).
2. Compruebe que el cable del adaptador esté firmemente enchufado en la afeitadora. Retuerza ligeramente el conector del adaptador para asegurar una buena conexión eléctrica. Si aún no logra cargarse, devuelva la afeitadora a Andis o a un centro de servicio técnico autorizado de Andis para su verificación y reparación, o reemplazo.

USO CON UN ADAPTADOR CON CABLE

Si la afeitadora se apaga durante el uso, el cable eléctrico podrá conectarse para continuar usándola con cable (Figura A). Cuando la afeitadora se usa con el cable eléctrico conectado, la luz indicadora de carga de color blanco permanecerá encendida, incluso si la batería está parcial o completamente descargada. La afeitadora no se cargará al estar en uso con el cable conectado.

Después de que el aparato esté completamente cargado, entrará automáticamente en el modo APAGADO. Cuando está en modo apagado, el consumo de energía es de 0.13 W.

La afeitadora no ha sido cargada en la fábrica. A fin de lograr un rendimiento máximo, cargue la afeitadora durante 2 horas antes del primer uso.

PARA AFEITAR

1. Mantenga la unidad limpia y seca en todo momento.
2. Quite la tapa protectora agarrándola de los lados y levantándola.
3. Asegúrese de que las láminas externas y los elementos cortadores internos no hayan sufrido daños. Reemplace las piezas dañadas antes de usar el producto. Para obtener más información sobre repuestos, comuníquese con Andis o el centro de servicio técnico autorizado de Andis más cercano.
4. Asegúrese de que la batería esté cargada.
5. Lave y seque la piel completamente antes de afeitarse.
6. Deslice el interruptor de encendido/apagado a la posición de encendido.
7. Delicadamente estire la piel de la cara con la mano libre, mientras mueve la afeitadora lenta y suavemente en contra de la dirección de crecimiento de la barba. Usar movimientos cortos y circulares ayudará a que los pelos se separen de la cara, lo cual facilitará el proceso de afeitado.
8. Para lograr un afeitado más al ras y evitar un desgaste innecesario de las láminas, asegúrese de que ambas láminas estén en contacto simultáneamente con la piel en todo momento.
9. Para facilitar el corte y evitar el desgaste de la lámina, utilice una mínima presión para aplicar la afeitadora a la piel.
10. Para maximizar el confort al afeitarse, asegúrese de limpiar la afeitadora completamente después del uso.

MANTENIMIENTO POR PARTE DEL USUARIO

Si no se utilizará la afeitadora durante un período prolongado, almacénela en un lugar seguro, fresco y seco. No enrolle el cable firmemente alrededor de la afeitadora. No cuelgue la afeitadora por el cable eléctrico. No debe realizarse ningún tipo de mantenimiento que no sea el recomendado en este manual, salvo por Andis Company o por un centro de servicio técnico autorizado de Andis. **Para comunicarse directamente con Andis, llame a nuestro equipo de Atención al Cliente al 1-800-558-9441 o envíenos un correo electrónico a info@andisco.com.**

IMPORTANTE: Para obtener un óptimo rendimiento y resultados, se recomienda reemplazar los elementos cortadores y los conjuntos de las láminas de la afeitadora cada seis meses.

INSTRUCCIONES DE USO

PARA REEMPLAZAR EL CONJUNTO DE LÁMINAS

1. Para retirar la lámina protectora, sujete el conjunto de la lámina por ambos lados y levántelo suavemente para separarlo de la afeitadora (Figura B).
2. Posicione el conjunto de láminas de repuesto sobre los elementos cortadores. Tenga cuidado de no dañar las láminas. Con cuidado, deslice el conjunto de láminas hacia abajo hasta que quede asentado firmemente en posición.

PARA REEMPLAZAR LOS ELEMENTOS CORTADORES

NOTA: Siempre reemplace el conjunto de láminas al reemplazar los elementos cortadores.

1. Para desmontar un elemento cortador, sujételo de ambos lados y tire hacia arriba (Figura C).
2. Para reemplazar un elemento cortador, sujételo de ambos lados y alinee el pequeño eje metálico de su cara inferior con la muesca de la unidad de accionamiento de la afeitadora, empujando firmemente hacia abajo hasta que se enganche en posición.
3. Reemplace el conjunto de láminas.

LIMPIEZA

Es necesaria una limpieza regular para poder mantener el óptimo rendimiento y el máximo confort de su afeitadora. **NO permita el funcionamiento de la afeitadora, el conjunto de láminas ni los elementos cortadores bajo agua.** Utilice únicamente el cepillo pequeño (incluido) para limpiarla.

LIMPIEZA EN SECO CON CEPILLO

1. Retire el conjunto de láminas protectoras sujetando las láminas por ambos lados y levantándolas suavemente para separarlas de la afeitadora (Figura B).
2. Con cuidado, golpee la base del conjunto de láminas sobre una superficie plana, de modo que los pelos en su interior caigan hacia afuera. No desmonte las láminas individuales, ya que podría dañarlas accidentalmente.
3. Cepille ligeramente los pelos para quitarlos de los elementos cortadores. Puede desmontarlos de la afeitadora en caso de ser necesario (Figura C). Sople para eliminar cualquier pelo suelto que quedara.
4. Reemplace los elementos cortadores y el conjunto de láminas.

GARANTÍA LIMITADA DEL FABRICANTE DE 24 MESES

Este producto Andis cuenta con una garantía contra defectos en los materiales y en la mano de obra durante 24 meses a partir de la fecha de compra. Todas las garantías expresas e implícitas que surjan y sean aplicables al producto en virtud de la legislación estatal también se limitarán a 24 meses a partir de la fecha de compra. Todo producto Andis que Andis determine que es defectuoso, en cuanto a los materiales o la mano de obra, durante el período de garantía, se reparará o reemplazará, a entera discreción de Andis, sin cargo para el consumidor en cuanto a las piezas y la mano de obra. Para poder beneficiarse de esta garantía limitada, el producto defectuoso deberá devolverse como una encomienda asegurada o por U.P.S., con comprobante de compra, a Andis: Andis, 1800 Renaissance Blvd., Sturtevant, WI 53177, EE. UU. Incluya una carta en la que se describa la naturaleza del problema.

Debido a la materia extraña que a veces se encuentra en el cabello y por otros motivos, ni las cuchillas de la máquina de corte ni el reafilado de las cuchillas están sujetos a esta garantía limitada. Andis no se responsabiliza por el reemplazo, el costo de posibles reparaciones ni por alteraciones realizadas a sus productos por parte de otras personas, agencias o compañías. Salvo lo indicado más arriba, Andis no proporciona y expresamente renuncia a cualquier garantía de comerciabilidad o idoneidad para un propósito en particular, o a cualquier otra garantía de cualquier tipo. Andis no será responsable bajo ninguna circunstancia por los daños incidentales o consecuentes de ningún tipo, ni por cualquier tipo de responsabilidad que pudiera surgir debido al uso de accesorios no autorizados. Es posible que algunos estados no permitan la exclusión o limitación con respecto a daños incidentales o consecuentes, de modo que la limitación o exclusión puede no aplicarse a su caso en particular.

Fecha de compra _____ Modelo _____

Para encontrar un centro de servicio técnico autorizado de Andis en su área, visite andis.com o póngase en contacto con nuestro departamento de Atención al Cliente: 1-800-558-9441

ADVERTENCIA: SIN GARANTÍA SI SE COMPRA DE VENDEDORES NO AUTORIZADOS DE PRODUCTOS ANDIS

Para asegurarse de recibir un producto auténtico, seguro y de calidad, los productos Andis deben adquirirse únicamente a través de vendedores autorizados. Visite andis.com o póngase en contacto con nuestro departamento de Atención al Cliente al 1-800-558-9441 (EE. UU.) para obtener una lista de nuestros vendedores autorizados. Estos vendedores están aprobados o certificados por nuestra compañía. Si no compra por medio de una de estas compañías, no podemos asegurar la autenticidad o el estado de los productos Andis ni tampoco podemos ofrecer nuestra garantía y servicios relacionados por cualquier producto comprado de un vendedor no autorizado. Toda garantía de este tipo será nula y se denegarán todos los reclamos bajo la garantía que se hagan por un producto comprado a un vendedor no autorizado. Tampoco se autoriza la venta o el uso por parte de estos vendedores no autorizados de nuestros productos, así como de imágenes de marketing, logotipos, marcas comerciales y material con derechos de autor relacionados con nuestros productos.

Lire les instructions suivantes avant d'utiliser cet appareil Andis. Si cet appareil est traité comme un instrument de précision, il devrait donner de longues années de service.

INSTRUCTIONS D'ORIGINE

MISES EN GARDE

Pendant l'utilisation d'un appareil électrique, il faut toujours prendre des précautions de base, y compris les suivantes : **Lire toutes les directives avant d'utiliser l'appareil Andis.**

DANGER :

Les consignes qui suivent permettent de réduire les risques d'électrocution.

1. Ne pas tenter de récupérer un appareil électrique qui est tombé dans l'eau. Le débrancher immédiatement.
2. Ne pas utiliser cet appareil dans le bain ou sous la douche.
3. Ne pas déposer ni ranger l'appareil à un endroit d'où il pourrait tomber dans une baignoire ou un lavabo/évier. Ne pas mettre l'appareil dans l'eau ou dans un autre liquide.
4. Sauf en cours de recharge, toujours débrancher l'appareil de la prise murale juste après l'utilisation.
5. Débrancher l'appareil avant de le nettoyer, de le déplacer ou d'installer une pièce.

AVERTISSEMENT :

Pour réduire les risques de brûlure, d'incendie, d'électrocution et de blessure :

1. Ne jamais laisser un appareil branché sans surveillance.
2. Cet appareil ne doit pas être utilisé par des personnes (enfants inclus) ayant des capacités physiques, sensorielles ou mentales réduites, ou un manque d'expérience et de connaissances, sauf sous la supervision ou les directives concernant l'utilisation de l'appareil d'une personne responsable de leur sécurité.
3. Les enfants doivent être surveillés pour s'assurer qu'ils ne jouent pas avec l'appareil.
4. Une étroite supervision est nécessaire lorsque cet appareil est utilisé par, sur ou près d'enfants ou de personnes invalides ou aux capacités physiques, sensorielles ou mentales limitées.
5. Utiliser cet appareil seulement pour l'usage prévu décrit dans le présent manuel. Utiliser uniquement les accessoires recommandés par Andis.
6. Cet appareil peut être utilisé par des enfants âgés d'au moins 8 ans et des personnes ayant des capacités physiques, sensorielles ou mentales réduites, ou un manque d'expérience et de connaissances, s'ils font l'objet d'une supervision ou d'une instruction concernant l'utilisation sans danger de l'appareil et en comprennent les dangers. Les enfants ne doivent pas jouer avec l'appareil.
7. Le nettoyage et l'entretien ne doivent pas être faits par des enfants sans supervision.

8. Cet appareil peut être utilisé par des enfants âgés de 3 ans sous surveillance.
9. Ne jamais utiliser l'appareil si son cordon ou sa fiche de branchement sont endommagés, s'il ne fonctionne pas correctement, s'il est tombé par terre, s'il est endommagé ou s'il a été échappé dans l'eau. Le retourner à un centre de service agréé par Andis pour examen et réparation.
10. Garder le cordon à l'écart des surfaces chaudes.
11. Ne jamais insérer un objet quelconque dans une ouverture de l'appareil.
12. Ne pas utiliser l'appareil à l'extérieur, dans un endroit où des aérosols sont employés ou encore dans un endroit où l'on administre de l'oxygène.
13. Pour éviter les blessures, ne pas utiliser des lames ou des guides de coupe cassés ou endommagés sous peine de s'abîmer la peau.
14. Toujours insérer la fiche dans l'appareil en premier, puis dans la prise murale. Pour débrancher l'appareil, mettre la commande en position Arrêt (p. ex. « 0 »), puis retirer la fiche de la prise secteur.
15. Ne jamais toucher les deux bornes de l'appareil avec des objets métalliques ou des parties du corps; cela pourrait déclencher un court-circuit. Garder à l'écart des enfants. Le non-respect de ces avertissements pourrait déclencher un incendie ou faire encourir des blessures graves.
16. L'utilisation d'un chargeur non vendu par Andis risque de se solder par un incendie, une électrocution ou des blessures.
17. Garder les prises d'air exemptes de fibres, de cheveux et d'objets similaires.
18. Garder l'appareil au sec.
19. Ne jamais utiliser cet appareil avec les prises d'air bouchées ou s'il est posé sur une surface moelleuse (par exemple sur un lit ou un sofa) qui pourrait obstruer les prises d'air. Garder les prises d'air exemptes de fibres, de cheveux et d'objets similaires.
20. L'utilisation d'un cordon adaptateur ou d'une fiche non vendus par Andis pourrait entraîner un risque d'incendie, de décharge électrique ou de blessure corporelle.
21. Ne pas démonter le cordon de l'adaptateur ni les fiches. Un remontage incorrect risque de provoquer une électrocution ou un incendie. Si une réparation est requise, envoyer ou apporter l'appareil à un centre de service agréé par Andis.
22. Débrancher le chargeur avant de brancher ou de débrancher l'appareil.
23. Brancher directement le chargeur sur une prise. Ne pas utiliser de rallonge électrique.
24. L'appareil est uniquement destiné à la tonte de finition.
25. Lors d'une utilisation prolongée, les lames peuvent devenir chaudes.
26. Pendant l'utilisation, ne pas charger, mettre ou laisser l'appareil à un endroit où il risque d'être endommagé par un animal ou exposé aux intempéries.
27. Lors de la recharge de la pile, utiliser uniquement l'unité d'alimentation détachable fournie avec cet appareil.
28. Utiliser seulement avec l'unité d'alimentation _____.
 Utiliser uniquement avec une source d'alimentation USB sur un produit certifié, comme un ordinateur, une prise, une lampe, un bloc d'alimentation de classe 2 ou un adaptateur automobile.

CET APPAREIL EST ÉQUIPÉ D'UNE PILE

OUI NON

29. La pile de cet appareil a été conçue pour une longévité maximale sans soucis. Toutefois, comme toutes les piles, celle-ci finira par s'user. Ne pas essayer de remplacer la pile. Si une réparation ou un remplacement est requis, envoyer ou apporter l'appareil à un centre de service agréé par Andis.
30. La pile doit être mise au rebut de manière sécuritaire.
31. Les piles peuvent être néfastes pour l'environnement en cas de mise au rebut incorrecte. De nombreuses localités proposent des services de recyclage ou de récupération des piles. Pour en savoir plus sur les pratiques dans votre région pour la mise au rebut de piles endommagées ou qui fuient, contacter les autorités locales.
32. La pile doit être retirée de l'appareil avant sa mise au rebut.
33. L'appareil doit être débranché de la source d'alimentation avant le retrait de la pile.
34. Ne pas entreposer l'appareil à une température inférieure à 10 °C ou supérieure à 40 °C. Ne pas exposer l'appareil ou la pile à des conditions extrêmement humides, à la lumière directe du soleil ou à toute source de chaleur.
35. Ne pas exposer l'appareil ou la pile à des températures excessives.
36. La température ambiante pour charger la cellule est de 10 °C à 35 °C.
37. Tenir compte du risque de court-circuit des bornes de l'appareil fonctionnant sur pile ou de la pile par des objets métalliques.
38. Cet appareil contient des piles qui peuvent uniquement être remplacées par du personnel qualifié.
- Cet appareil contient des piles qui ne sont pas remplaçables. Lorsque la pile est en fin de vie, l'appareil doit être correctement mis au rebut.

CONSERVER CES INSTRUCTIONS

CE PRODUIT EST DESTINÉ À UN USAGE

DOMESTIQUE COMMERCIAL **UNIQUEMENT.**



LIRE LE MANUEL D'UTILISATION

[symbole ISO 7000-0790 (2004-01)]



PARTIE D'ALIMENTATION DÉTACHABLE

[symbole IEC 60417-6181 (2016-01)]

CONSIGNES D'UTILISATION DES PILES LITHIUM-ION

1. La pile lithium-ion fournie avec l'appareil ne développe pas d'« effet de mémoire » comme celles au nickel-métal-hydrure (NiMH), ou au nickel-cadmium (NiCd). Il est possible de brancher le cordon du bloc d'alimentation sur l'appareil en tout temps pour une charge complète ou même d'utiliser la pile avant la fin d'un cycle de recharge. Comme la plupart des piles rechargeables, les piles lithium-ion donnent les meilleurs résultats quand elles sont utilisées fréquemment.
2. Pour maximiser la durée de vie de la pile, stocker l'appareil à l'état partiellement déchargé si l'appareil ne doit pas être utilisé pendant plusieurs mois.

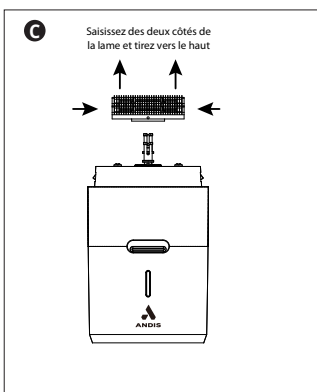
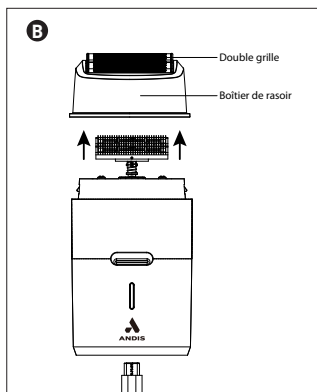
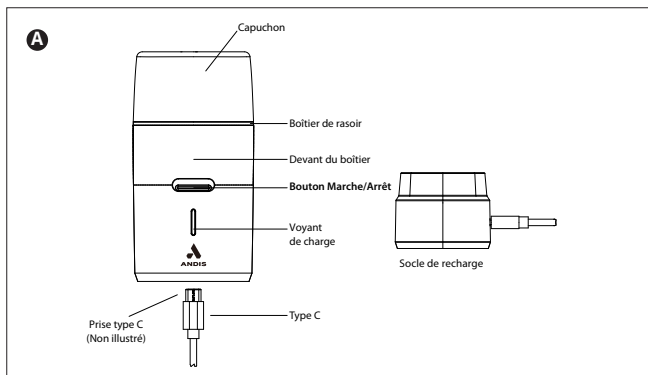
3. Éviter de placer l'appareil près de bouches de chauffage, de radiateurs ou à la lumière directe du soleil. Une recharge optimale s'obtient à une température stable. Les hausses subites de température risquent d'empêcher la recharge à fond de la pile.
4. De nombreux facteurs affectent la durée de vie des piles lithium-ion. Il est possible qu'une pile qui a été très utilisée ou qui a plus de un an ne donne pas le même niveau de rendement qu'une pile neuve.
5. Les piles lithium-ion inutilisées pendant un certain temps risquent de ne pas accepter de charge complète. Cela est normal et n'indique pas un problème de la pile ou du chargeur. La pile acceptera une pleine charge après plusieurs cycles d'utilisation et de recharge de l'appareil.
6. Débrancher le cordon de l'adaptateur de la prise de courant si de longues périodes d'inutilisation sont prévues.

MISE AU REBUT DE LA PILE

Ce produit contient une pile rechargeable qui est recyclable à la fin de sa durée utile. Dans certaines juridictions, il est illégal de mettre cette pile au rebut dans une décharge municipale. Vérifier auprès des responsables locaux des déchets solides pour connaître les options de recyclage disponibles ou de mise au rebut appropriée.

SERVICE APRÈS-VENTE POUR LES LAMES ET APPAREILS ÉLECTROMÉNAGERS

Dès que les lames de votre appareil Andis s'émoussent suite à une utilisation répétée, il est recommandé d'acheter un nouveau jeu de lames chez un fournisseur Andis ou par l'entremise d'un centre de service autorisé Andis. Si vous souhaitez faire entretenir votre appareil également, il doit être soigneusement emballé et envoyé par colis postal assuré ou par UPS à un centre de réparation agréé Andis. **Pour trouver le centre de service autorisé le plus proche, consulter le andis.com, contacter notre service à la clientèle au 1 800 558-9441 ou nous envoyer un courriel à info@andisco.com.**



COMPORTEMENT DES VOYANTS DE LA TONDEUSE

Recharge

0 % - 99 %

Blanc clignotant

100 %

Blanc continu

Fonctionnement

Tondeuse chargée de 0 % à 10 %

Rouge clignotant

Tondeuse chargée de 11 % à 25 %

Rouge continu

Tondeuse chargée de 26 % à 100 %

Blanc continu

RECHARGE

Ce chargeur de pile est destiné à la pile lithium-ion Andis modèle TS-3 d'une capacité nominale de 3,6 V --- 2,8 Wh. Sortir le rasoir et l'adaptateur secteur de la boîte. Brancher l'adaptateur sur une prise 100/240 V c.a. (ou une autre prise, en fonction des normes locales). Prendre note que pour que la pile se charge, l'interrupteur Marche/ Arrêt du rasoir doit être sur Arrêt (OFF). Brancher le cordon de l'adaptateur directement sur la prise en bas du rasoir (Figure A). Le voyant de charge blanc du rasoir s'allume.

Le rasoir n'a pas été chargé à l'usine. Pour un rendement maximal, le charger pendant 2 heures avant la première utilisation.

Quand il n'est pas utilisé, le rasoir peut rester branché sur l'adaptateur. L'adaptateur maintiendra la pile à pleine charge et le voyant de charge blanc restera allumé. L'adaptateur doit être débranché si vous ne prévoyez pas utiliser le rasoir pendant 7 jours ou plus.

EN CAS D'ÉCHEC DE LA RECHARGE

1. S'assurer qu'une tension est bien présente à la prise secteur (en y branchant un appareil qui fonctionne).
2. S'assurer que le cordon de l'adaptateur est bien branché sur le rasoir. Tordre légèrement le connecteur de l'adaptateur pour vérifier si son branchement est correct. Si le rasoir ne se recharge toujours pas, l'envoyer à Andis ou à un centre de service agréé par Andis pour examen et réparation ou remplacement.

UTILISATION AVEC LE CORDON ADAPTATEUR

Si le rasoir se met hors tension en cours d'utilisation, le cordon d'alimentation peut être attaché pour poursuivre l'utilisation en mode « branché sur secteur » (Figure A). Lorsque le rasoir fonctionne sur secteur, le voyant de charge blanc reste allumé, même si la pile est partiellement ou complètement déchargée. Le rasoir ne se rechargera pas en cours d'utilisation avec le cordon attaché.

Une fois que l'appareil est complètement chargé, il entrera automatiquement en mode arrêt (OFF). Lorsqu'il est en mode arrêt (OFF), la consommation d'énergie est de 0,13 W.

Le rasoir n'a pas été chargé à l'usine. Pour un rendement maximal, le charger pendant 2 heures avant la première utilisation.

POUR RASER

1. Garder l'appareil propre et sec en tout temps.
2. Retirer le capuchon protecteur en le saisissant par les côtés et en le tirant vers le haut.
3. S'assurer que les grilles extérieures et les lames intérieures ne sont pas abîmées. Remplacer les composants endommagés avant usage. Pour plus d'informations sur les pièces détachées, contactez Andis ou le centre de réparation agréé Andis le plus près de chez vous.
4. S'assurer que la pile est chargée.
5. Bien se laver et s'essuyer la peau avant de se raser.
6. Glisser l'interrupteur de marche/arrêt en position Marche (ON).
7. Tirer doucement sur la peau du visage de votre main libre en déplaçant le rasoir lentement et sans à-coups contre le grain de votre barbe. Procéder par petites touches circulaires pour redresser les poils du visage et faciliter le rasage.
8. Pour raser au plus près et éviter l'usure inutile des grilles, s'assurer qu'à tout moment, les deux grilles touchent simultanément la peau.
9. Pour faciliter le rasage et éviter l'usure des grilles, appuyer un minimum le rasoir sur la peau.
10. Pour maximiser le confort de rasage, veiller à nettoyer minutieusement le rasoir après usage.

ENTRETIEN

Si le rasoir doit rester inutilisé pendant longtemps, le ranger en lieu sûr, au sec et au frais. Ne pas enrouler le cordon serré autour du rasoir. Ne pas suspendre l'appareil par le cordon. Sauf pour les mesures d'entretien décrites dans ce mode d'emploi, tout entretien doit être confié à Andis ou à un centre de réparation agréé par Andis. **Pour contacter Andis directement, appeler notre service à la clientèle au 1 800 558-9441 ou nous envoyer un courriel à info@andisco.com.**

IMPORTANT : Pour un rendement optimal du rasoir et les meilleurs résultats possibles, nous vous recommandons de remplacer les lames et l'ensemble des grilles de votre rasoir tous les six mois.

MODE D'EMPLOI

POUR REMPLACER LES GRILLES

1. Pour retirer la feuille, saisissez toute la feuille des deux côtés et soulevez-la délicatement du rasoir (Figure B).
2. Positionner la grille de rechange sur les lames. Faire attention de ne pas endommager les grilles. Abaisser doucement l'ensemble des grilles de rechange jusqu'à ce qu'il s'enclenche bien en position.

POUR REMPLACER LES LAMES

REMARQUE : Toujours remplacer l'ensemble des grilles en même temps que les lames.

1. Pour enlever une lame, la saisir des deux côtés et la relever (Figure C).
2. Pour remplacer une lame, la tenir des deux côtés et aligner la petite tige en métal située dessous sur la rainure de l'entraînement du rasoir et pousser fermement vers le bas jusqu'à ce qu'elle s'enclenche en position.
3. Remplacer l'ensemble de grilles.

NETTOYAGE

Un nettoyage régulier est nécessaire pour maintenir un rendement optimal et tirer le maximum de confort de votre rasoir. **Ne PAS rincer le rasoir, l'ensemble des grilles ou les lames sous l'eau.** Utiliser uniquement la petite brosse (fournie) pour nettoyer.

NETTOYAGE À SEC AVEC LA BROSSE

1. Retirez toute la feuille en saisissant la feuille des deux côtés et en la soulevant doucement du rasoir (Figure B).
2. Tapoter la base de l'ensemble des grilles sur une surface plate de sorte à faire sortir les poils qui se trouvent à l'intérieur. Ne pas enlever les grilles; cela pourrait accidentellement les endommager.
3. Brosser légèrement pour enlever les poils des lames. Si nécessaire, elles peuvent être retirées du rasoir (Figure C). Souffler pour enlever les poils restants.
4. Remplacer les lames et l'assemblage des grilles.

GARANTIE LIMITÉE DE 24 MOIS DU FABRICANT

Andis garantit ce produit à l'acheteur initial contre tout défaut de matériau ou de fabrication pendant 24 mois à compter de la date d'achat. Toutes les garanties expresses et implicites découlant du produit et applicables à celui-ci en vertu de la législation de l'État/la province sont également limitées à 24 mois à compter de la date d'achat. Si, pendant la période de garantie, un produit Andis ne fonctionne pas correctement en raison d'un défaut de fabrication ou de matériau, Andis remplacera ou réparera, à sa seule discrétion, le produit sans frais pour le consommateur pour les pièces et la main-d'œuvre. Le produit défectueux doit être envoyé par colis postal assuré ou par UPS, accompagné d'une preuve d'achat à : Andis, 1800 Renaissance Blvd., Sturtevant, WI 53177 États-Unis. Inclure une lettre décrivant la nature du problème.

Étant donné, entre autres, que les cheveux peuvent contenir des matières étrangères, ni les lames ni l'affûtage des lames ne sont compris dans cette garantie limitée. Andis ne sera pas responsable du remplacement, du coût des réparations ou des modifications apportées à ses produits par toute autre personne, agence ou entreprise. À l'exception de ce qui est indiqué ci-dessus, Andis ne fournit pas et décline expressément toute garantie implicite de qualité marchande ou d'adéquation à un usage particulier, ou toute autre garantie de quelque nature que ce soit. En aucun cas, Andis ne sera responsable des dommages accessoires ou indirects de quelque type que ce soit, ou de toute responsabilité découlant de l'utilisation d'accessoires non autorisés. Certains États/ Certaines provinces n'autorisant pas la limitation ou l'exclusion des dommages indirects ou accessoires, il se peut que la limitation ou l'exclusion qui précède ne s'applique pas dans votre cas.

Date d'achat _____ Modèle _____

Pour trouver le centre de réparation agréé par Andis le plus proche, consulter le site www.andis.com ou contacter notre service à la clientèle au : 1 800 558-9441

AVERTISSEMENT : AUCUNE GARANTIE SI LES PRODUITS ANDIS SONT ACHETÉS AUPRÈS DE VENDEURS NON AUTORISÉS

Pour s'assurer de recevoir un produit authentique, sécuritaire et de qualité, acheter les produits Andis uniquement par l'intermédiaire de vendeurs autorisés. Se connecter à andis.com ou contacter le service à la clientèle au 1 800 558-9441 (États-Unis) pour consulter la liste de nos vendeurs autorisés. Ces vendeurs sont agréés ou certifiés par notre entreprise. Si vous n'achetez pas par l'intermédiaire de l'une de ces sociétés, nous ne pouvons pas garantir l'authenticité ou l'état des produits Andis, ni offrir notre garantie et nos services connexes pour tout produit acheté auprès d'un vendeur non autorisé. Toute garantie de ce type est nulle et toute demande de garantie faite pour un produit acheté auprès d'un vendeur non autorisé sera rejetée. La vente ou l'utilisation de nos produits par ces vendeurs non autorisés, ainsi que l'usage d'images commerciales, de logos, de marques de commerce et de matériel protégé par des droits d'auteurs se trouvant sur nos produits, sont également interdits.



©2026 ANDIS COMPANY

1800 Renaissance Blvd. Sturtevant, WI 53177

1-800-558-9441 | info@andisco.com

FORM #564625

ANDIS.COM | SINCE 1922